



**For Security**  
**Vari-Focal**

**MP** MEGA PIXELS

**YV3.3×15HR4A-SA2**

Applicable camera (model)

1	2/3	1/2	1/3	1/4
---	-----	-----	-----	-----

**3.3×**



**VARI**  
Vari-Focal

**TELE**  
Telephoto Long Focal

**1.3 Mega**  
For Megapixel Camera

**Day~Night**  
Day & Night

**DC**  
DC Auto Iris

**CS-mt**  
CS Mount

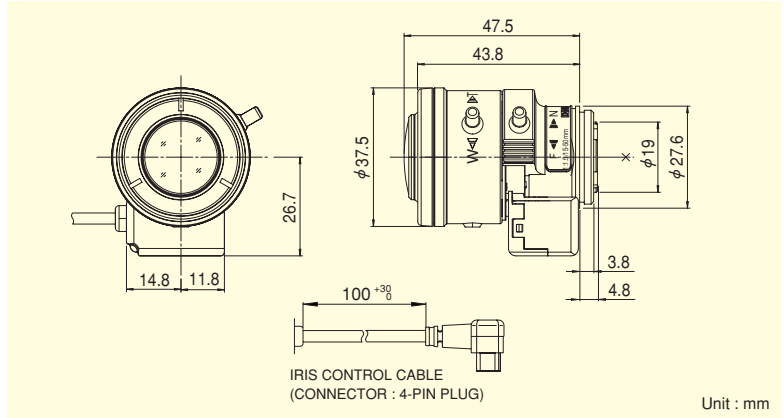
**METAL**  
Metal Mount

**ND**  
ND Filter

**AT**  
Aspherical Lens

**F1.5**  
Wide Aperture Rate

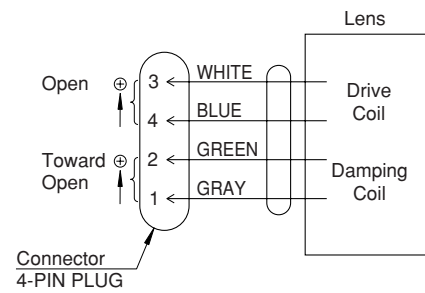
**RoHS**  
RoHS Compliant



- High image-quality monitoring with optical performance supporting 1.3 megapixels.
- Advanced design engineering and special optic glass adopted, best suited for color, Black and White and Day and Night cameras.
- f15-50mm, 3.3x zooming application compatible lens.
- Compact and lightweight design, best suited for use with dome cameras.
- Designed to maximize optical performance with high-accuracy aspheric lens, low-dispersion glass, and high refractive-index glass.
- Built-in ND filter of T360, supporting high sensitivity cameras.

Focal Length (mm)		15~50 (3.3×	
Iris Range		F1.5 ~ T360 (Equivalent to F360)	
Operation	Zoom	Manual	
	Focus	Manual	
	Iris	Auto (DC Type) (*1)	
Angle Of View (H×V)	1/3"	WIDE	18°29' × 13°45'
		TELE	5°29' × 4°09'
	1/4"	WIDE	13°45' × 10°16'
		TELE	4°09' × 3°08'
Focusing Range (From Front Of The Lens) (m)		∞ ~ 0.8	
Object Dimensions at M.O.D. (H×V) (mm)	1/3"	WIDE	271 × 201
		TELE	91 × 69
	1/4"	WIDE	201 × 150
		TELE	69 × 52
Back Focal Distance (in air) (mm)		MIN.8.56	
Exit Pupil Position (From Image Plane) (mm)		-50	
Filter Thread (mm)		—	
Mount		CS	
Mass (g)		50	
Coil Resistance		Drive Coil	190Ω
		Damping Coil	500Ω
Current Consumption		23mA (Max.) at DC 4V	
Remarks		• With Metal Mount (*1) When power is turned off, iris will automatically close.	

**Wiring**



[Lens Image]

15mm



50mm



**MP** MEGAPIXEL VARI-FOCAL LENSES