

SCB-C26

16-ch Digital Input Insolated RS485 Module



Specifications

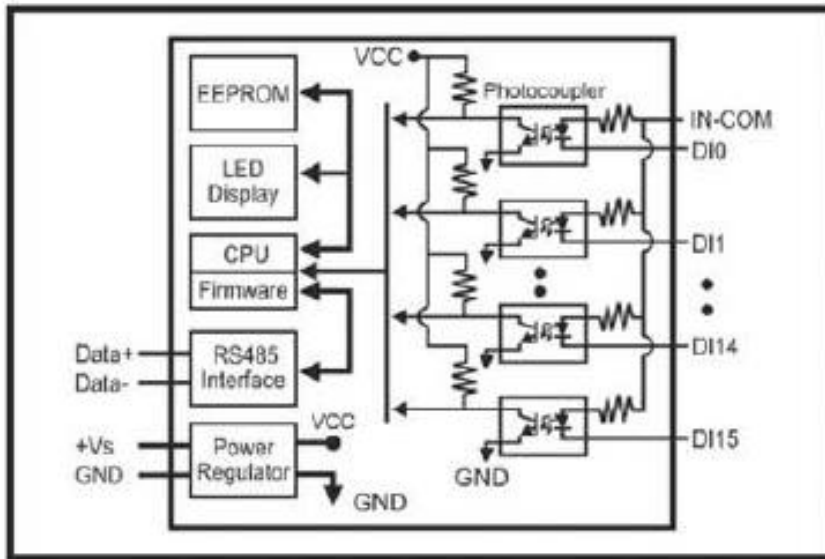
Input Channel	16 digital input channels with counter
Counter Channel/Frequency	16 / 100Hz
Communication Interface	RS-485 differential 2 half / duplex wires
Communication Speed	Baud rate from 1.2 Kbps to 115.2 Kbps
Transmission distance	RS485 Up to 4000ft (1200M).
Signal LED	Power on, all input channels
Dual watchdog	Reset circuit module / Host operating status
Power supply	Screw terminal, or external DC adapter
Power consumption:	1.5W
Dimension	151 x 75 x 26 mm

Introduction

SCB-C26 provides 16 optical isolated digital input channels and all of them can be used as counter. All channel features screw terminals for convenient connection of field signals as well as LED's to indicate channel status. All inputs are equipped with photo-couplers to protect the module against high voltage spikes and ground potential differences.

2012.03.29

3. Block Diagram



4. Application Note

