

2012.03.29

SCB-C28

4ch Isolated Digital Input & 4ch Power Relay Output RS485 module



Specifications

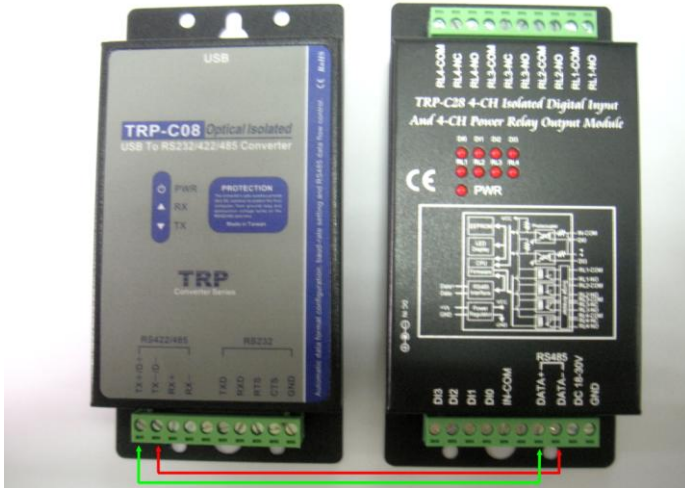
Input Channel	4 digital input channel
Output Channel	4 digital output channel
Counter Channel/Frequency	4 / 100Hz
Communication Interface	RS-485
Communication Speed	Baud rate from 1.2 Kbps to 115.2 Kbps
Relay Type	2 Form A(R1,R2), 2Form C(R3, R4)
Transmission distance	500M
Signal LED	Power on, all input channels
Dual watchdog	Reset circuit module / Host operating status
Power supply	Screw terminal, or external DC adapter
Power consumption:	2.7W
Dimension	151 x 75 x 26 mm

Introduction

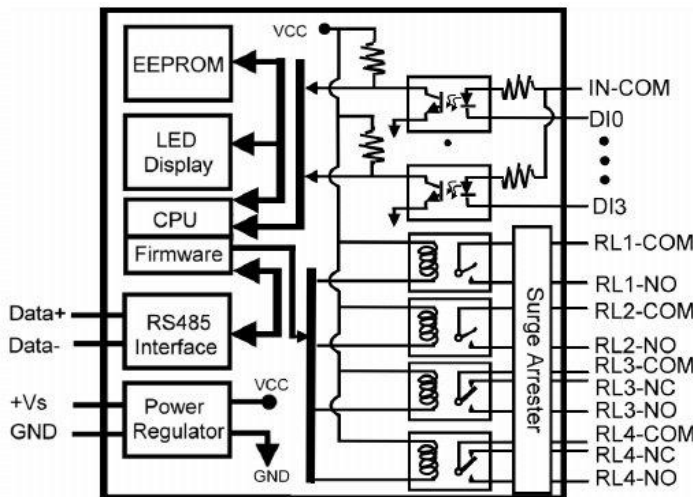
SCB-C28 provides with 4 optical isolated digital input channels and 4 power relays output. All channel features screw terminals for convenient connection of field signals as well as LED's to indicate channel status. SCB-C28 can be easily control by SCB-C08.

2012.03.29

1. Connection between SCB-C08 and SCB-C28



2. Block Diagram



3. Application Note

