



GLC-1701/IR

Article-No.: 96092

1/3" Network Camera,
Day&Night, 3.8-9.5mm, 704x576,
IR, 12VDC

Mainfeatures

Weatherproof camera with swivel head bracket
Removable IR cut filter
IR illumination by 15 integrated 850nm LED`s
Integrated web server: 10Base-T/100Base-TX
Viewer for monitoring, recording and configuration
Supply voltage: 12VDC

1/3" D&N CCD camera with DC lens F1.2/3.8-9.5mm
High speed shutter control (ESC)
Dynamic (light) intensity control (DIC)
MJPEG and MPEG-4 compression (GL series)
Email (FTP), GPIO notification in case of an alarm
Fully hidden cable routing/Protection rating: IP67


Specifications

Series	eneo W3 Plug & Play
Resolution standard	SD
System	day&night
Sensor size	1/3"
Imager	CCD
Imager	Sony Super HAD II Interline Transfer
Sensitivity	0,2 Lux
Sensitivity	(colour), 0.06Lux (B&W) at F1.2
Automatic electronic shutter (ESC)	1/50 ~ 1/100,000sec.
Digital Noise Reduction (DNR)	no
Low speed shutter	no
Backlight compensation	BLC
Wide Dynamic Range (WDR)	no
IR cut filter	switchable
Privacy zones masking	no
Activity detection	yes

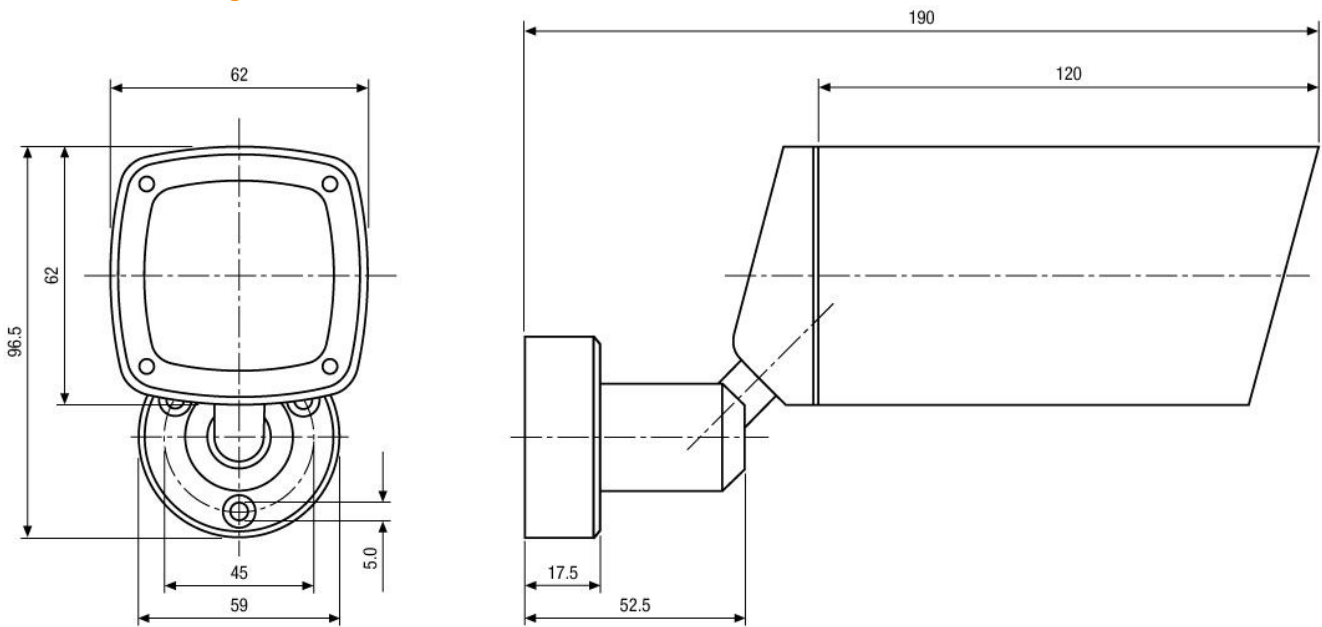
Specifications (continued)

Video outputs	composite (CVBS)
Audio support	no
Alarm inputs	1
Alarm outputs	1
Internal storage	no
Resolution max.	720x576
Resolution	720x576 (4:3), 720x288 (4:3), 352x288 (4:3)
Image transmission rate max.	25 fps
Ethernet interface	10Base-T, 100Base-TX
Network protocols	TCP/IP, DHCP, HTTP, FTP, SMTP, SNTP, DDNS, UPnP, PPPoE
Stream types	MPEG-4, MJPEG alternating
Lens type	varifocal
Focal length	3,8 mm - 9,5 mm
Digital zoom	no
Horizontal angle of view	74,2° - 30°
Iris control	DC
MOD (Minimum object distance)	0,15 m
Filter screw size	not available
Illumination	15 LEDs 850nm. Integrated light sensor for On/Off switching of the illumination
Illumination range	approx. 15m (at a good light reflexion and 40% Videosignal)
Serial interfaces	no
Remote configuration	web browser, remote software
Password protection	yes
e-PTZ support	no
Supply voltage	12VDC
Power consumption	6W
Temperature range (operation)	-20°C ~ +50°C
Mounting	wall mount
Colour (housing)	Pantone 7541
Housing material	aluminium
Housing	outdoor
Protection rating	IP67
Integrated wall mount	yes
Hidden cable management	yes
Window heater	no
Vandalism resistant	no
Management Software Support	GL-Manager, Zelaris, Aimetis - Symphony, Netavis, Milestone XProtect Corporate
SDK	no
ONVIF	no
Dimensions (HxWxD)	see drawing
Weight	785g
Certificates	CE

Optional Accessories

Image	Article ID / type	Description
	VT-PS12DC-8	Plug-in Power Supply Unit 100-240VAC 12VDC (1.0Amp), Regulated, with DC Plug

Technical Drawing



Maße/Dimensions: mm

Your partner for eneo products:

