



NLC-1401

Article-No.: 93160

1/3" Network Camera,
Day&Night, H.264, MJPEG/MPEG4,
704x576, PoE, 12/24V, ONVIF

Mainfeatures

1/3" Sony Super HAD CCD
Removal IR cut filter (ICR)
Privacy masking/Mirror function/Motion detection
Triple codec: H.264 / MPEG-4 / MJPEG
Supports up to 25 Fps. (at 4CIF)
Two-way audio streaming

Sensitivity of: 0.1Lux at F1.2 (colour)
Powerful digital noise reduction (3D-DNR)
ONVIF conformance
Integrated web server: 10Base-T/100Base-TX
Resolutions: 4CIF, VGA, QVGA, 2CIF, CIF, SIF, QCIF
16 channel video client software

Specifications

Series	eneo NL
Resolution standard	SD
System	True Day&Night
Video standard	CCIR/PAL
Sensor size	1/3"
Imager	CCD
Imager	Sony Super HAD Interline Transfer
Sensitivity	0,1 Lux
Sensitivity	(colour), 0.06Lux (B&W) at F1.2
Horizontal resolution	560 TVL
Automatic gain control (AGC)	ON/OFF switchable
Automatic electronic shutter (ESC)	1/50 - 1/100,000sec.
Manual electronic shutter (MES)	1/50 - 1/100,000sec.
Digital Noise Reduction (DNR)	yes
Low speed shutter	yes
Low speed shutter	Automatic, 2 - 256 Fps., ON/OFF switchable


Specifications (continued)

White balance	AWB, Indoor / Outdoor switchable
Wide Dynamic Range (WDR)	D-WDR
Backlight compensation	BLC
Backlight compensation	HSBLC (Highlight Suppress Back Light Compensation), ON/OFF switchable. Adjustable size and gain
Flickerless function	yes
IR cut filter	switchable
Mirror function	H/V flip, 180° rotation
Privacy zones masking	ON/OFF switchable
Activity detection	yes
Motion detector	9 zones, ON/OFF switchable
Text display	15 character label, ON/OFF switchable
Menu languages	English, German, French, Spanish, Italian, Russian
OSD function control	H/V flip (Mirror picture), Rotation, Positive/Negative, Freeze, Day&Night (Auto/Manual), Shutter control, Sharpness & Brightness correction, Exposure, White balance, Privacy zones masking, Motion detection, Text, Digital Cropping
External adjustments	Menu, Cursor Up/Down/Left/Right, Flange focus
External connections	Video (BNC), Audio, Network (RJ-45), Alarm Input/Output, Factory reset (button), DC iris (4 pin), Power Input, RS-485
Video outputs	composite (CVBS)
Video outputs	1Vp-p (C)VBS, 75ohms, BNC
Audio support	yes
Audio	1/1 Line input and output (Input selectable with microphone pre-amplifier)
Alarm inputs	1
Alarm inputs	1x TTL
Alarm outputs	1
Alarm handling	file upload via FTP and HTTP. Notification via email, HTTP and TCP. External output activation
Internal storage	no
Compression standard	H.264, M-JPEG, MPEG-4
Resolution max.	704x576
Resolution	704x576 (4:3), 640x480 (4:3), 320x240 (4:3), 704x288 (4:3), 352x288 (4:3), 176x144 (4:3), 160x120 (4:3)
Image transmission rate max.	25 fps
Frame rate	25 fps max. at 704x576 px. (H.264, MJPEG, MPEG-4, PAL), adjustable
Stream types	Standard, ROI (Region of Interest)
Image display	via Web Browser or Viewer Software
Ethernet interface	10Base-T, 100Base-TX
Web browser	MS Internet Explorer vers. 7.0 or higher, Google Chrome (Java), Mozilla Firefox (Java), Safari (Java)
Network protocols	IPv4/v6, SMTP, DDNS, HTTP, HTTPS, DNS, FTP, DHCP, QoS, UPnP, NTP, RTSP, RTP, TCP, UDP, SNMP, RTCP, ARP
Remote configuration	16-ch. remote client S/W (Live, Recording, Playback, Archiving, e-Map, Event search)
Configuration	via Smart Setup Software

Specifications (continued)

Multicast compliant	yes
Lens mount	CS mount
Digital zoom	2x - 32x
Iris control	manual, auto iris, DC
Pre-alarm recording	up to 30sec.
Post-alarm recording	up to 30sec.
e-PTZ support	yes
Search function	alarm/event/time searching
Serial interfaces	RS-485
Serial interfaces	Protocols: eneo Fastrax IIE and Pelco D&P
Access	10 users simultaneous support
Firmware update	via remote software
Password protection	yes
Management Software Support	Nimra, Numina, Aimetis - Symphony, Zelaris
SDK	available, SDK incl. HTTP-API and ActiveX
ONVIF	yes, core specifications 1.01
Camera mount	1/4" - 20 UNC thread on top and bottom
Power consumption	6.5W
Temperature range (operation)	0°C ~ +45°C
Colour	Pantone Cool Gray 1C
Supply voltage	12VDC, 24VAC, PoE
Power over Ethernet	IEEE 802.3af
Protection rating	n/a
Certificates	CE
Parts supplied	Nimra video management software
Weight	360g
Dimensions (HxWxD)	see drawing

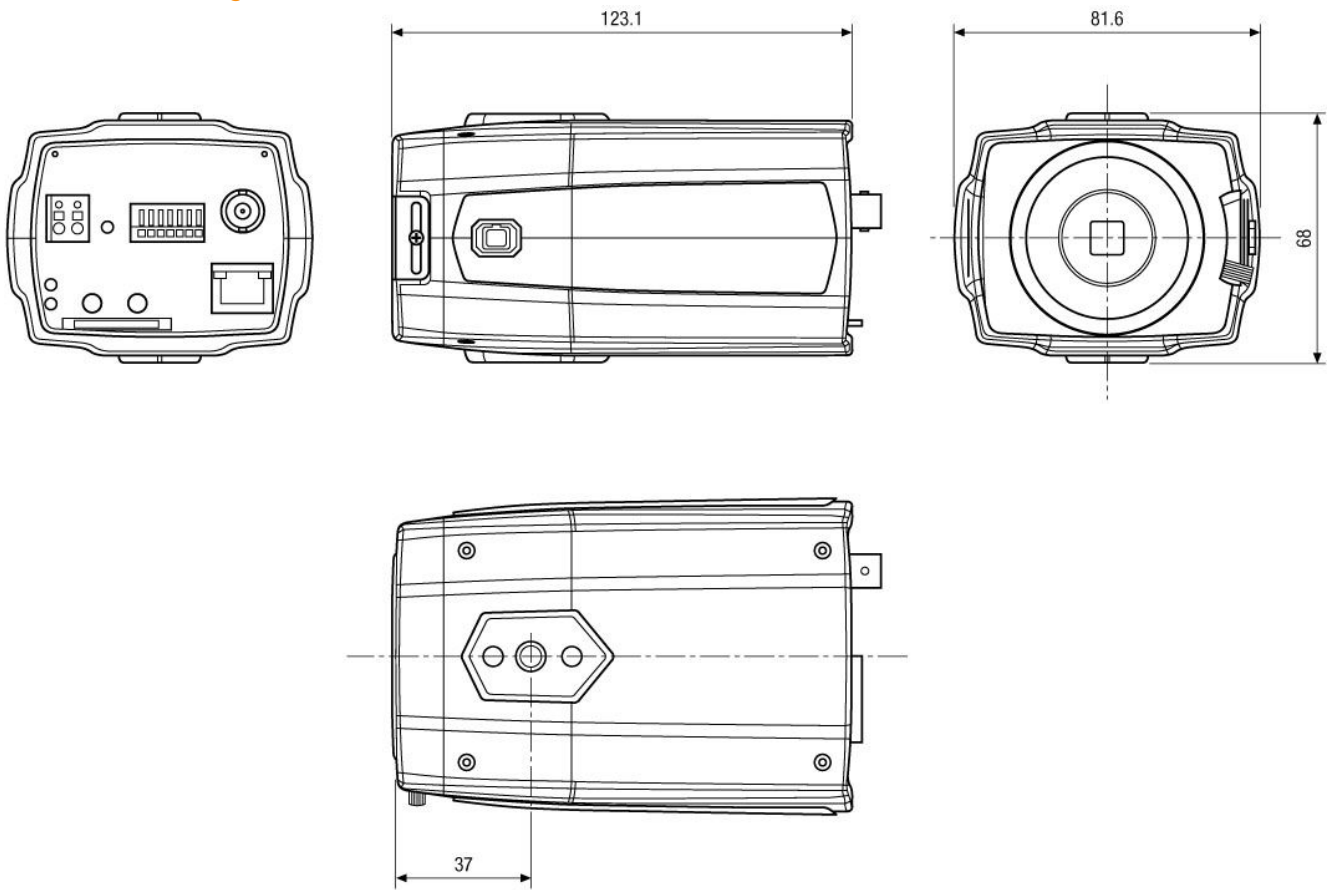
Optional Accessories

Image	Article ID / type	Description
	VHM/ECLIP-W	Weatherproof Housing (330mm), Heater, Thermostat, Blower, RAL9016/7035, 12VDC
	POE20U-560(G)	High PoE Midspan, 1 Port, 19.6W, Gigabit, 100-240VAC

Optional Accessories (continued)

Image	Article ID / type	Description
	POE125U-8-C	PoE Midspan, 8 Ports, 15.4W, Gigabit, 100-240VAC

Technical Drawing



Maße/Dimensions: mm



Your partner for eneo products:

