



## VKCD-1333SM/49

Article number: 92575

1/3" Dome, Fixed, Day&Night, 3.8-9.5mm, 600TVL, 12VDC

### Mainfeatures

1/3" Sony Super HAD II CCD

On-screen display (OSD)

High speed shutter control (MES/ESC)

Privacy masking/Mirror function/Motion detection

Manual 3-axis camera gimbal

Dome bubble size: 100mm diam.

Sensitivity of 0.15Lux at F1.2

Backlight compensation (BLC)

Digital noise reduction (DNR)

Integrated fix lens: F1.4/3.8-9.5mm

Supply voltage: 12VDC

For wall and ceiling surface mounting

### Specifications

Sensor size	1/3"
Imager	CCD
Imager	Sony Super HAD II Interline Transfer
System	electronic Day&Night
Sensitivity	0,15 Lux
Sensitivity	(colour), 0.06Lux (B&W) at F1.2
Low speed shutter	no
Manual electronic shutter (MES)	1/50 ~ 1/120,000sec.
Wide Dynamic Range (WDR)	no
Flickerless function	ON/OFF switchable
Backlight compensation	OFF/Low/Mid/High selectable
Backlight compensation	BLC

**VKCD-1333SM/49**

## Specifications continued

IR cut filter	OLPF (Overlay Low Pass Filter)
Automatic electronic shutter (ESC)	1/50 ~ 1/120,000sec.
Automatic gain control (AGC)	ON/OFF switchable
Signal-to-noise ratio	50dB (AGC OFF)
Video standard	PAL
Synchronization	internal
Lens type	varifocal
Focal length	3,8 - 9,5 mm
Digital zoom	no
Aperture range (F)	F1.5~F250
Iris control	DC
Iris control	DC
Aperture Correction (APC)	horizontal and vertical
Horizontal angle of view	64,6 - 28,4 °
Active picture elements	440,000 (H) 752 x (V) 582
Horizontal resolution	600 TVL
Motion detector	yes
e-PTZ support	no
OSD function control	Mirror (H), Day&Night, AGC, BLC, DNR, Flickerless, Shutter, Sharpness, Brightness, White balance, R-Y/B-Y, Privacy zones masking, Motion Detection, Text, DC level
Menu languages	English
Privacy zones masking	4 areas selectable
Digital Noise Reduction (DNR)	yes
Video outputs	composite (CVBS)
Video outputs	1Vp-p, (C)VBS, 75ohms, BNC
Alarm inputs	no
Alarm inputs	-
Alarm outputs	no
Serial interfaces	no
Dimensions (HxWxD)	see drawing
Illumination	no
Colour (housing)	Pantone Warm Gray 1C
Colour (bubble)	clear
Housing	indoor
Housing material	plastic
Weight	370g
Heater	no
Bubble	Polycarbonate plastic with black inner liner
Power consumption	approx. 2W
Mounting	ceiling mount, wall mount
Protection rating	n/a
Supply voltage	12VDC (10 ~ 15VDC), 12VDC ±0.5V recommended
Supply voltage	12VDC
Temperature range (operation)	-10°C ~ +45°C

## VKCD-1333SM/49

### Specifications continued

Text display	8 character labels, ON/OFF switchable
Vandalism resistant	no
Certificates	CE
Parts supplied	Screw set, Drilling template, Test Monitor cable, Manual

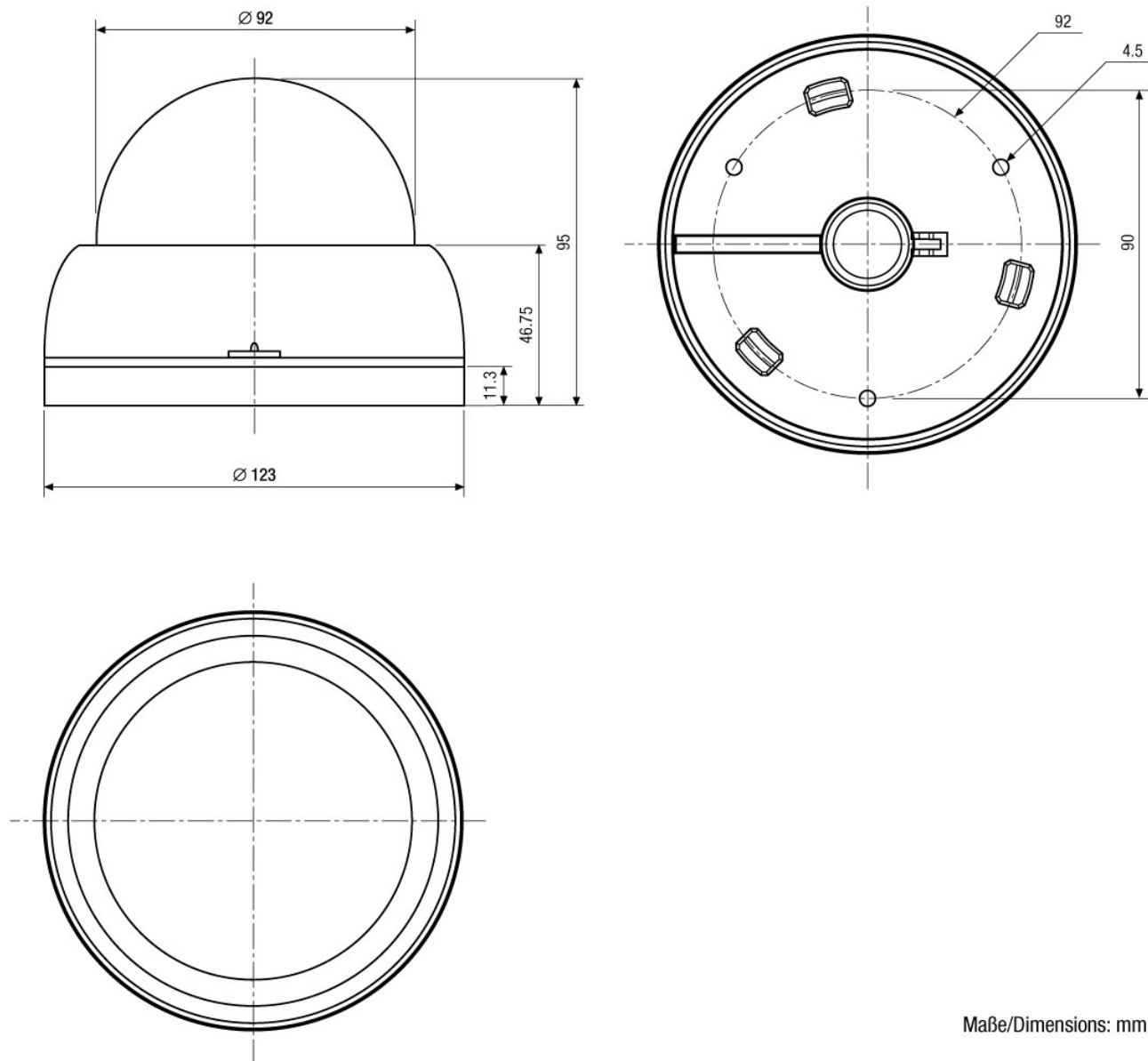
## VKCD-1333SM/49

### Available Accessories

<b>Bild</b>	<b>Art. Nr. / Bezeichnung</b>	<b>Beschreibung</b>
	203658 / VT-PS12DC-11	Plug-in Power Supply Unit, 100-240VAC/12VDC (1.0A), Regulated, with DC Plug

# VKCD-1333SM/49

## Technical Drawing



Maße/Dimensions: mm

## Your Contact Person



eneo is a registered trademark of  
VIDEOR E. Hartig GmbH  
Carl-Zeiss-Straße 8  
63322 Rödermark  
Deutschland  
Tel.: +49 6074-888-333  
E-Mail: info@eneo-security.com  
Web: www.eneo-security.com