

# CG-641PA1V

Home | Security | Cameras | Boxed

CG-641PA1V  
1/2" Day/Night Camera, AGC, BLC, 520TVL,  
12VDC/24VAC

Art-Nr. 92507



Lens not included

## Main Features

1/2" ExView Colour/B&W HAD CCD Sensor  
Resolution of 520 Horizontal Lines (Colour)  
Sensitivity of 0.08Lux at F1.2 (Colour)  
Removable IR cut filter  
Adaptive Exposure Control  
High and Low Speed Shutter Control (ESC/DSS)

On-screen Menu Control / Camera Titel Display  
Eclipse Function / Blemish Compensation Function  
Automatic White Balance with Hold Function (AWB)  
Cable Compensation  
RS-485 Control Interface

## Specifications

System	day&night
Video standard	CCIR/PAL
Sensor size	1/2"
Imager	CCD, Sony ExView HAD Interline Transfer
Active picture elements	440,000, 752(H) x 582(V)
Horizontal resolution	520 TVL, (colour), 550 TV lines (B&W)
Synchronization	Internal/Line lock (via OSD menu)
Signal-to-noise ratio	50dB (AGC OFF)
Gamma correction	0.45 (LCD Monitor) 0.6 (CRT Monitor) 1.0 (OFF)
Sensitivity	0,08 Lux, at F1.2, @50 IRE
Manual electronic shutter (MES)	1/50 ~ 1/50,000sec.
Low speed shutter	yes
Digital Noise Reduction (DNR)	no

# CG-641PA1V

(Continuation Specifications)

<b>Backlight compensation</b>	BLC, eclipser, see eclipse function
<b>Wide Dynamic Range (WDR)</b>	no
<b>White balance</b>	automatic/manually
<b>Blemish compensation</b>	automatic blemish detection and compensation (for up to 10 pixels)
<b>Aperture Correction (APC)</b>	horizontal and vertical
<b>Flickerless function</b>	On/Off switchable (via OSD menu)
<b>IR cut filter</b>	switchable
<b>Privacy zones masking</b>	8 zones masking
<b>OSD function control</b>	OSD camera setup, DSS, Day/Night, Eclipser, Adaptive exposure control (AE), Blemish compensation, Iris open and back focus adjustment, Cable compensation, AWB, AGC Sync., Flickerless, Masking (Window blanking)
<b>Digital zoom</b>	no
<b>Lens mount</b>	CS mount
<b>Iris control</b>	Manual iris, DC controlled iris
<b>External adjustments</b>	Flange focus, 4 menu cursor buttons
<b>Video outputs</b>	composite (CVBS), 1Vp-p, (C)VBS, 75ohms, BNC
<b>External connections</b>	Iris control (4-pin), Video (BNC), Power input, RS-485 interface, incl. external D&N switching
<b>Serial interfaces</b>	RS-485
<b>Camera mount</b>	1/4" - 20 UNC thread on top and bottom
<b>Supply voltage</b>	12VDC, 24VAC, (+/-15%) 24VAC (+/-15%) 50/60Hz
<b>Power consumption</b>	approx. 4.7W at 12VDC (6.5W at 24VAC)
<b>Colour</b>	similar to RAL 7048
<b>Temperature range (operation)</b>	-10°C ~+50°C
<b>Weight</b>	200g
<b>Parts supplied</b>	4 pin Lens plug, Allen wrench key, Control adapter cable with open ends, Quick start guide and manual on CD
<b>Certificates</b>	CE

## Optional accessories

<b>70495</b>	<b>VT-PS12DC-7</b>	Plugable PSU w. Cont. & UK Mains plug-in 100- 240VAC/12VDC-1.25A, Regulated
<b>77773</b>	<b>VT-PS12DCDT1</b>	PSU 12VDC/1.0A, Regulated, Desktop Version, 1.8m Cables each w. open ends
<b>70771</b>	<b>WD-23</b>	Wall Mount Bracket with Ball Joint, 1/4" Camera Fixing Screw, Pantone 877
<b>203658</b>	<b>VT-PS12DC-11</b>	Plug-in Power Supply Unit, 100-240VAC/12VDC (1.0A), Regulated, with DC Plug
<b>70769</b>	<b>WD-22</b>	Wall Mount Bracket with Ball Joint, 1/4" Camera Fixing Screw, Beige Grey

## CG-641PA1V

43251	G04Z03NDDC-NFS	F1.2/4.5-12.5mm DC Lens/variable Focal Length, No Focus Shift, 1/2"CS Mount
43106	C/CS RING-AL	Adapter Ring, C/CS Mount, Aluminium anodized
43239	A10Z04NDDC-NFS	F1.4/10-40mm DC Lens/var. Focal Length with No Focus Shift, 1/2" C Mount
43252	G04Z03M-NFS	F1.2/4.5-12.5mm Lens, Var. Focal Length with No Focus Shift, 1/2", CS Mount
43266	A09Z10DC-NFS-MP	F1.8/9-90mm DC Varifocal Lens, NFS, Megapixel Resolution, 1/2", C Mount
74089	EDC-CR1	Converter RS-232/RS-485, Repeater RS-485

# CG-641PA1V

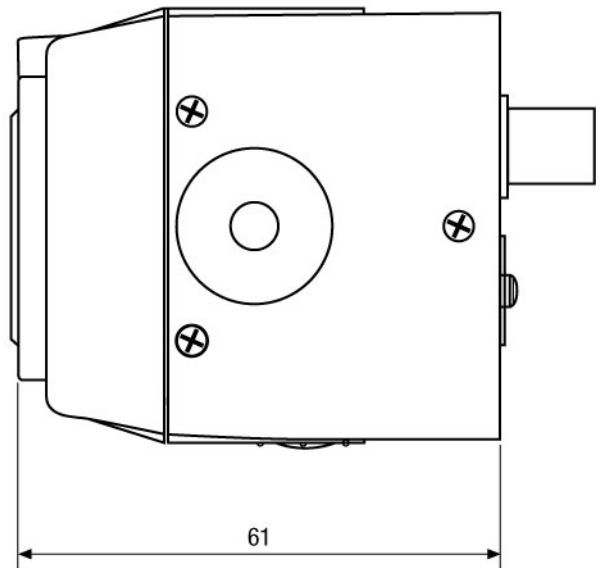
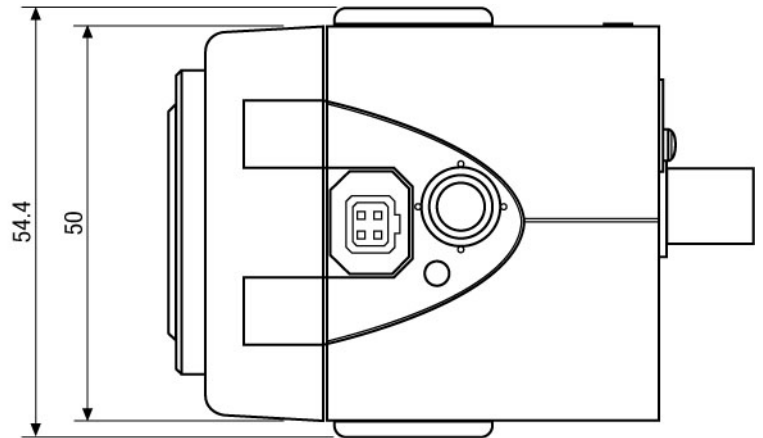
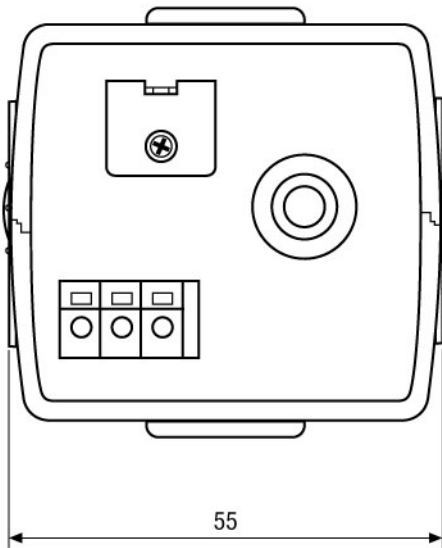
## Product information

Use the RS-485 Converter/Repeater EDC-CR1 for PC configuration and Software updates.

# CG-641PA1V

Home | Security | Cameras | Boxed

## Technical drawing



Maße/Dimensions: mm

Belcom Security Systems s.r.l.  
Via Degli Eroi 4 - 36050 Quinto Vicentino - Vicenza - IT  
support@belcom.it - www.belcom.it

**BELCOM**  
SECURITY SYSTEMS