



VKC-1361/IR-4.0

Article number: 92205

1/3" Camera, Day&Night, F2.0/4.0mm, 850nm, 520TVL, infrared, 12V

Mainfeatures

Weatherproof CCD camera with IR illumination

Integrated 4.0mm/F2.0 lens

IR illumination by 20 integral 850nm LEDs

Automatic shutter control (ESC)

Aluminium housing with sunshield

Supply voltage: 12VDC

1/3" Sony SS-HQ1 CCD

Sensitivity of 0.18Lux (F1.2)

B&W display at night time and IR LED illumination

Automatic white balance (ATW)

Protection rating: IP67

Sunshield and wall mount bracket supplied

Specifications

Sensor size	1/3"
Imager	CCD
Imager	Sony Super HAD CCD
System	electronic Day&Night
Sensitivity	0,18 Lux
Sensitivity	(colour) at F1.2 (measured), 50 IRE
Low speed shutter	no
Wide Dynamic Range (WDR)	no
Backlight compensation	center weighted, ON/OFF switchable
Backlight compensation	BLC
IR cut filter	OLPF (Overlay Low Pass Filter)
Automatic electronic shutter (ESC)	1/50 ~ 1/100,000sec.



VKC-1361/IR-4.0

Specifications continued

Automatic gain control (AGC)	On/Off switchable
White balance	automatic (2000K - 8000K)
Signal-to-noise ratio	50dB (AGC OFF)
Video standard	CCIR/PAL
Synchronization	internal
Lens type	fixed focal length
Focal length	4 mm
Digital zoom	no
Iris control	no
Horizontal angle of view	63 °
Active picture elements	440,000, 752(H) x 582(V)
Horizontal resolution	520 TVL
Motion detector	no
e-PTZ support	no
Digital Noise Reduction (DNR)	no
Video outputs	composite (CVBS)
External connections	Video (BNC), Power input
Alarm inputs	no
Alarm outputs	no
Serial interfaces	no
Dimensions (HxWxD)	see drawing
Illumination	infrared
Illumination	20x IR LED's 850nm. Due to an integrated light sensor the LED illumination will be switched ON/OFF, depending on environmental illumination conditions.
Illumination range	approx. 15m (at a good light reflexion and 40% Videosignal)
Colour (housing)	silver grey
Housing	outdoor
Housing material	metal (aluminium)
Weight	200g
Integrated wall mount	yes
Power consumption	4.0W
Mounting	wall mount
Window heater	no
Protection rating	IP67
Hidden cable management	no
Supply voltage	12VDC
Temperature range (operation)	-10°C ~ +50°C
Vandalism resistant	no
Certificates	CE
Parts supplied	Camera, Wall bracket, Manual

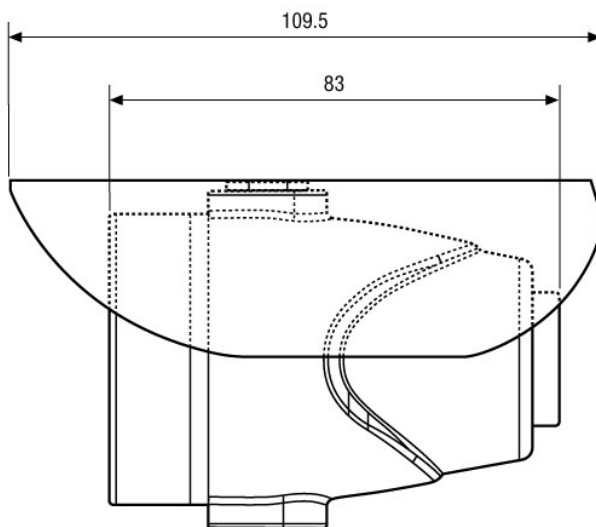
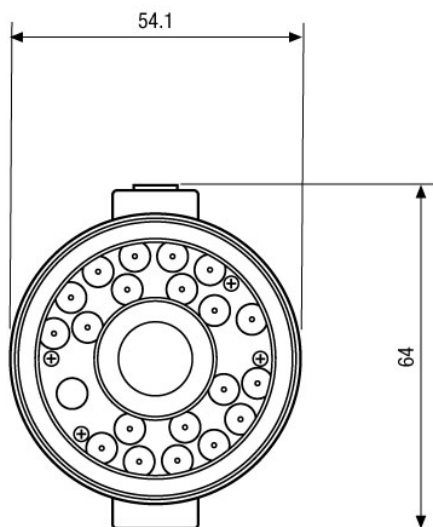
VKC-1361/IR-4.0

Available Accessories

Bild	Art. Nr. / Bezeichnung	Beschreibung
	202641 / PM-42A	Pole mount adaptor for eneo Candid, Candid S, Candid M, Candid L, W3, WB1, AK-5, AK-4
	203658 / VT-PS12DC-11	Plug-in Power Supply Unit, 100-240VAC/12VDC (1.0A), Regulated, with DC Plug

VKC-1361/IR-4.0

Technical Drawing



Maße/Dimensions: mm

Your Contact Person



eneo is a registered trademark of
VIDEOR E. Hartig GmbH
Carl-Zeiss-Straße 8
63322 Rödermark
Deutschland
Tel.: +49 6074-888-333
E-Mail: info@eneo-security.com
Web: www.eneo-security.com