



VKC-1332/3.6SMD

Article number: 91987

1/3" Camera, colour, 3.6mm, 470TVL, Smoke Detector Housing, 12VDC

Mainfeatures

For wall and drop ceiling mount

Built-in pinhole lens F2.0/3.6mm

Internal synchronization

Easy installation

Resolution of 470 horizontal lines

Automatic shutter control (ESC)

Supply voltage: 12VDC

Specifications

Sensor size	1/3"
Imager	CCD
Imager	1/3" Interline transfer CCD
System	colour
Sensitivity	0,5 Lux
Sensitivity	at F1.2 (measured), 50 IRE
Low speed shutter	no
Wide Dynamic Range (WDR)	no
Backlight compensation	no
IR cut filter	standard
Automatic electronic shutter (ESC)	1/50 ~ 1/100,000sec.
White balance	automatic (2000 - 10.000K)
Signal-to-noise ratio	46dB (AGC OFF)
Video standard	PAL
Synchronization	internal
Lens type	fixed focal length


VKC-1332/3.6SMD

Specifications continued

Focal length	3,6 mm
Digital zoom	no
Mount	n/a
Horizontal angle of view	69 °
Horizontal resolution	470 TVL
Motion detector	no
e-PTZ support	no
Digital Noise Reduction (DNR)	no
Video outputs	composite (CVBS)
External connections	Video (BNC), 12VDC (DC plug)
Alarm inputs	-
Alarm outputs	-
Serial interfaces	no
Dimensions (HxWxD)	see drawing
Illumination	no
Colour (housing)	white
Housing	indoor
Housing material	plastic
Weight	140g
Integrated wall mount	no
Power consumption	1.2W
Mounting	wall mount, ceiling mount
Window heater	no
Protection rating	IP20
Hidden cable management	yes
Supply voltage	(+/-10%)
Supply voltage	12VDC
Temperature range (operation)	-10°C ~ +50°C
Vandalism resistant	no
Certificates	CE

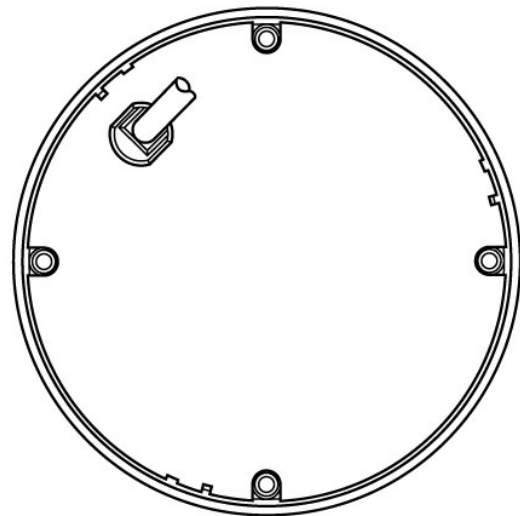
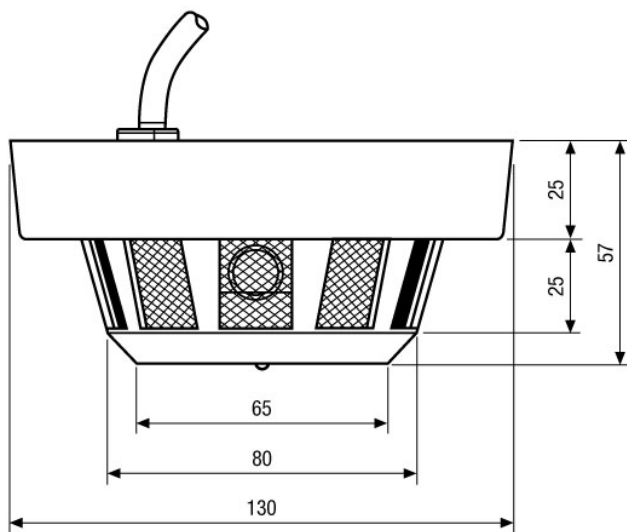
VKC-1332/3.6SMD

Available Accessories

Bild	Art. Nr. / Bezeichnung	Beschreibung
	203658 / VT-PS12DC-11	Plug-in Power Supply Unit, 100-240VAC/12VDC (1.0A), Regulated, with DC Plug

VKC-1332/3.6SMD

Technical Drawing



Maße/Dimensions: mm

Your Contact Person



eneo is a registered trademark of
VIDEOR E. Hartig GmbH
Carl-Zeiss-Straße 8
63322 Rödermark
Deutschland
Tel.: +49 6074-888-333
E-Mail: info@eneo-security.com
Web: www.eneo-security.com