



VMC-LCD/WMB-4

Article number: 90468

Wall Bracket for LCD Monitors up to 23", Pan and Tilttable

Mainfeatures

For wall mounting of TFT/LCD monitors up to 23"

Pan/tilt range: +/-90° horizontal und vertical

Vesa 75mm/Vesa 100mm standard, 4x4mm holes

Load capacity: 13kg

Ready for installation

Swivel head with a large adjustment range

Display pivot for 270°

Rugged aluminium construction

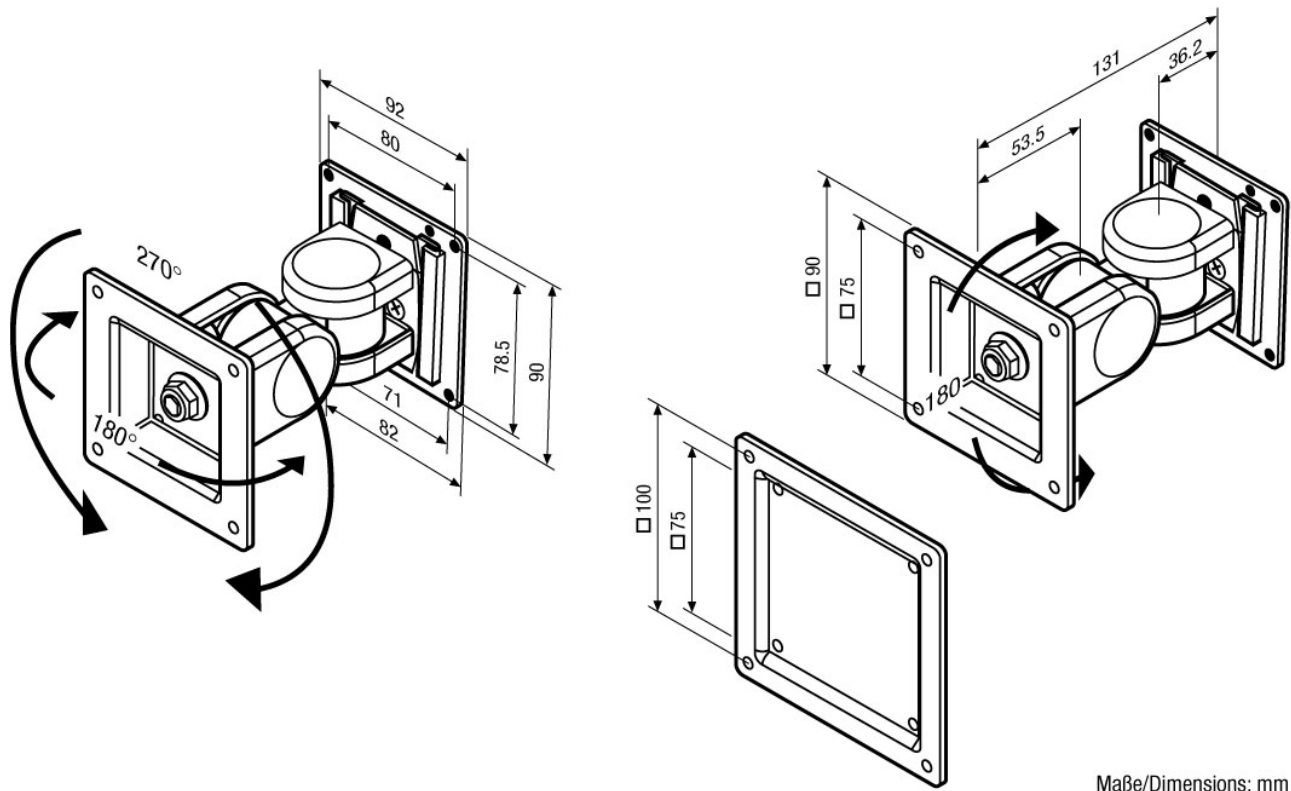
Separate wall mount plate

Specifications

Categorie	Mounting
-----------	----------

VMC-LCD/WMB-4

Technical Drawing



Maße/Dimensions: mm

Your Contact Person



eneo is a registered trademark of
VIDEOR E. Hartig GmbH
Carl-Zeiss-Straße 8
63322 Rödermark
Deutschland
Tel.: +49 6074-888-333
E-Mail: info@eneo-security.com
Web: www.eneo-security.com