



## DS-4

Article-No.: 90056

Twilight Switch with ON/OFF  
Delay adjustable Switching  
Points, 230VAC

### Main features

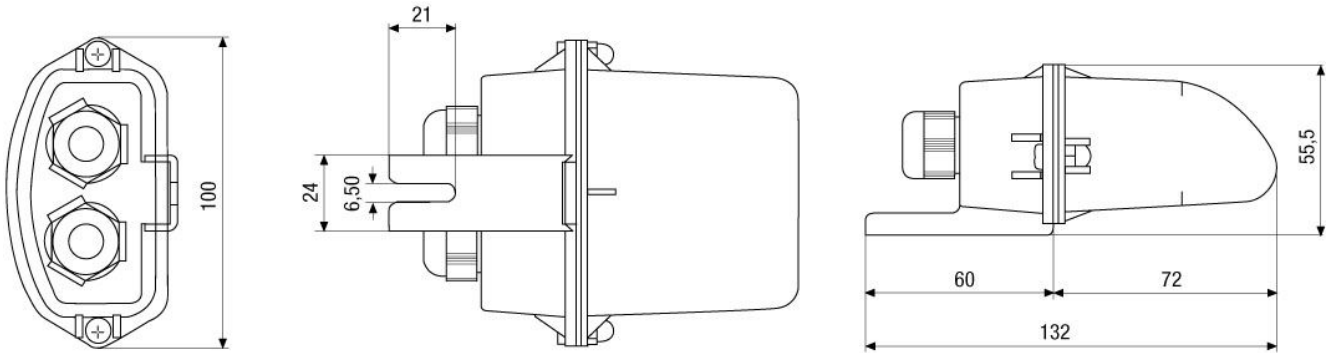
For automatic illuminator ON/OFF switching  
Switching range: 2 to 200Lux (adjustable)  
For wall mounting  
Protection rating: IP66

Photocell controlled  
ON/OFF switching delay  
Switching power: 1200W max.  
Easy installation

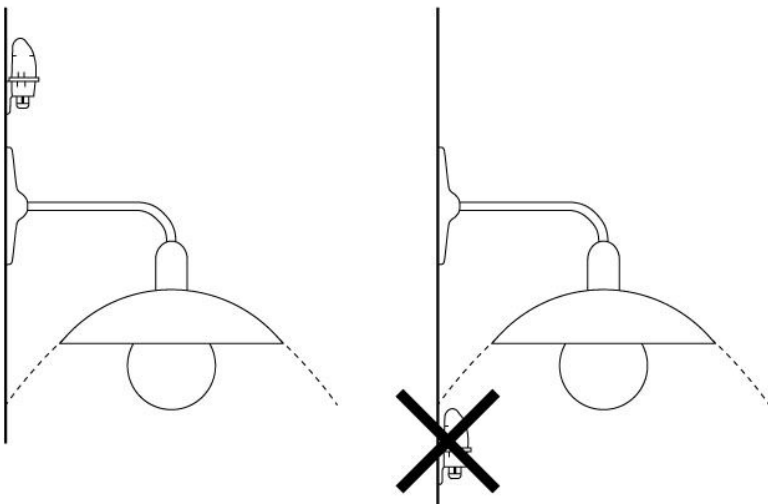
### Specifications

Weight	150g
Categorie	Product Addition
In/output voltage	230VAC / 50Hz
Switch-on delay	7sec.
Switch-off delay	420sec.
ON/OFF switching range	2 ~ 200Lux
Internal adjustments	Potentiometer for ON/OFF switching range
LED display	Displays switch ON status
Mains in/outputs	1 each
Switching power	5A (1200W)
Temperature range	-20°C ~ +50°C
Housing	Grey plastic with clear cover
Dimensions (HxWxD)	see drawing
Weight	150g

## Technical Drawing



Maße/Dimensions: mm



Your partner for eneo products:

