



WD-5/MK

Article number: 79750

Wall Mount with Swivel Head for weatherproof Housing, black

Mainfeatures

For wall mounting

Rugged aluminium construction

Ready for installation

For weatherproof housings

Swivel head with large adjustment range

Specifications




Tilt range	Approx. 90°
Dimensions (HxWxD)	see drawing
Colour	black
Weight	1kg
Load capacity	5kg
Material	Aluminium
Categorie	Mounting

More product information

When mounting the wall mount bracket, ensure that only dowels which are approved for this type of construction are used.

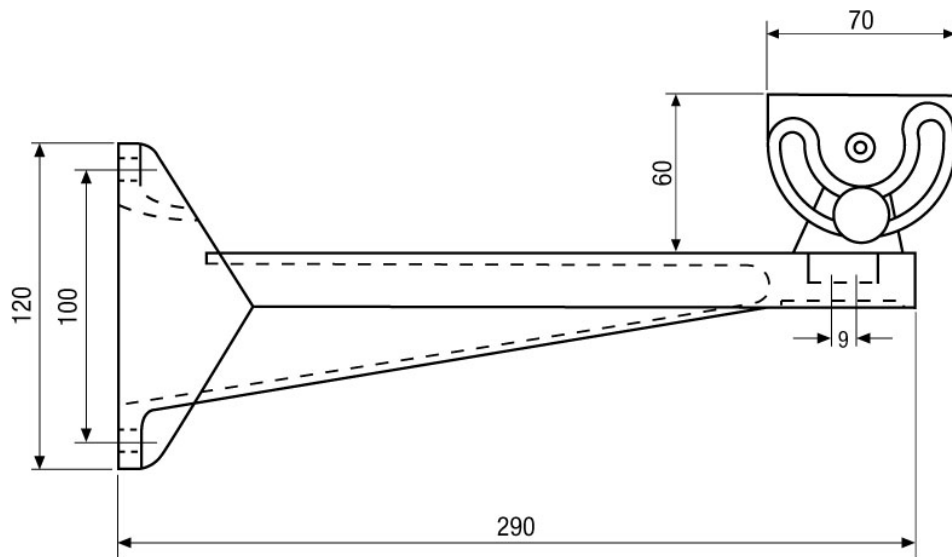
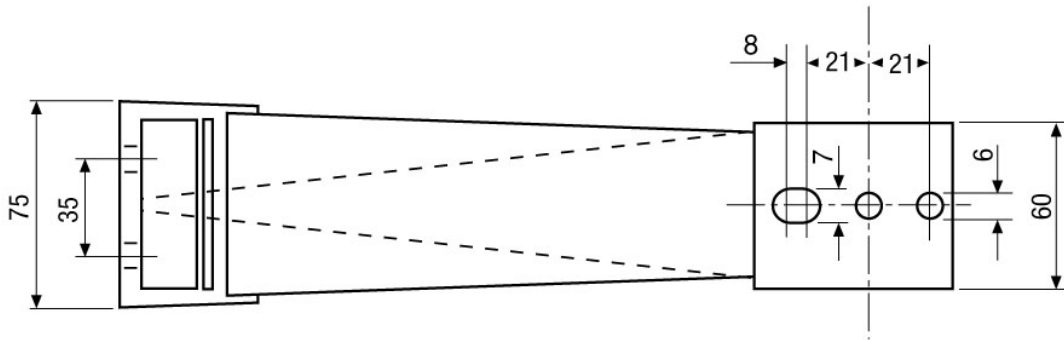
WD-5/MK

Available Accessories

Bild	Art. Nr. / Bezeichnung	Beschreibung
	79592 / PM-6S	Pole Mount Adapter for 1 Wall Mount, (50-140mm Pole), RAL9002
	79593 / PM-6D	Pole Mount Adapter for 2 Wall Mounts, (50-140mm Pole), RAL9002
	79613 / CMA-2	Corner Mount Adapter for Wall Brackets WD-5, WD-7, VTL-WW, VHK-WW, RAL9002

WD-5/MK

Technical Drawing



Maße/Dimensions: mm

Your Contact Person



eneo is a registered trademark of
VIDEOR E. Hartig GmbH
Carl-Zeiss-Straße 8
63322 Rödermark
Deutschland
Tel.: +49 6074-888-333
E-Mail: info@eneo-security.com
Web: www.eneo-security.com