



VHM/ZLB-W

Article number: 79682

Weatherproof Housing (330), Heater, Central Plug, RAL9016/7035

Mainfeatures

Camera weather protection

Fold-down housing body

Insulated camera mounting

Cable entry with metal gland M25x1.5mm

Window glass with "Clear-Shield" technology

Housing colour: RAL9016/RAL7035

Housing body length: 330mm

4 levels of camera height adjustment

Central connector with 30 pin contact strip

Window heater & thermostat 24(12)V included

Protection rating: IP66

Specifications

Series	eneo VHM
Dimensions (HxWxD)	see drawing
Clear Shield	yes
Colour (housing)	RAL9016, RAL7035
Housing	aluminium with plastic covers (ABS)
Housing	outdoor
Housing size	medium
Housing material	metal (aluminium)
Maximum installation length	330 mm
Weight	2.9kg
Heater	yes
Integrated wall mount	no





VHM/ZLB-W

Specifications continued

Blower	no
Window heater	yes
Protection rating	IP66
Hidden cable management	no
Sunshield	yes
Supply voltage	24VAC
Wiper	no
Parts supplied	Screw set, Central plug with built-in 30-pin connector

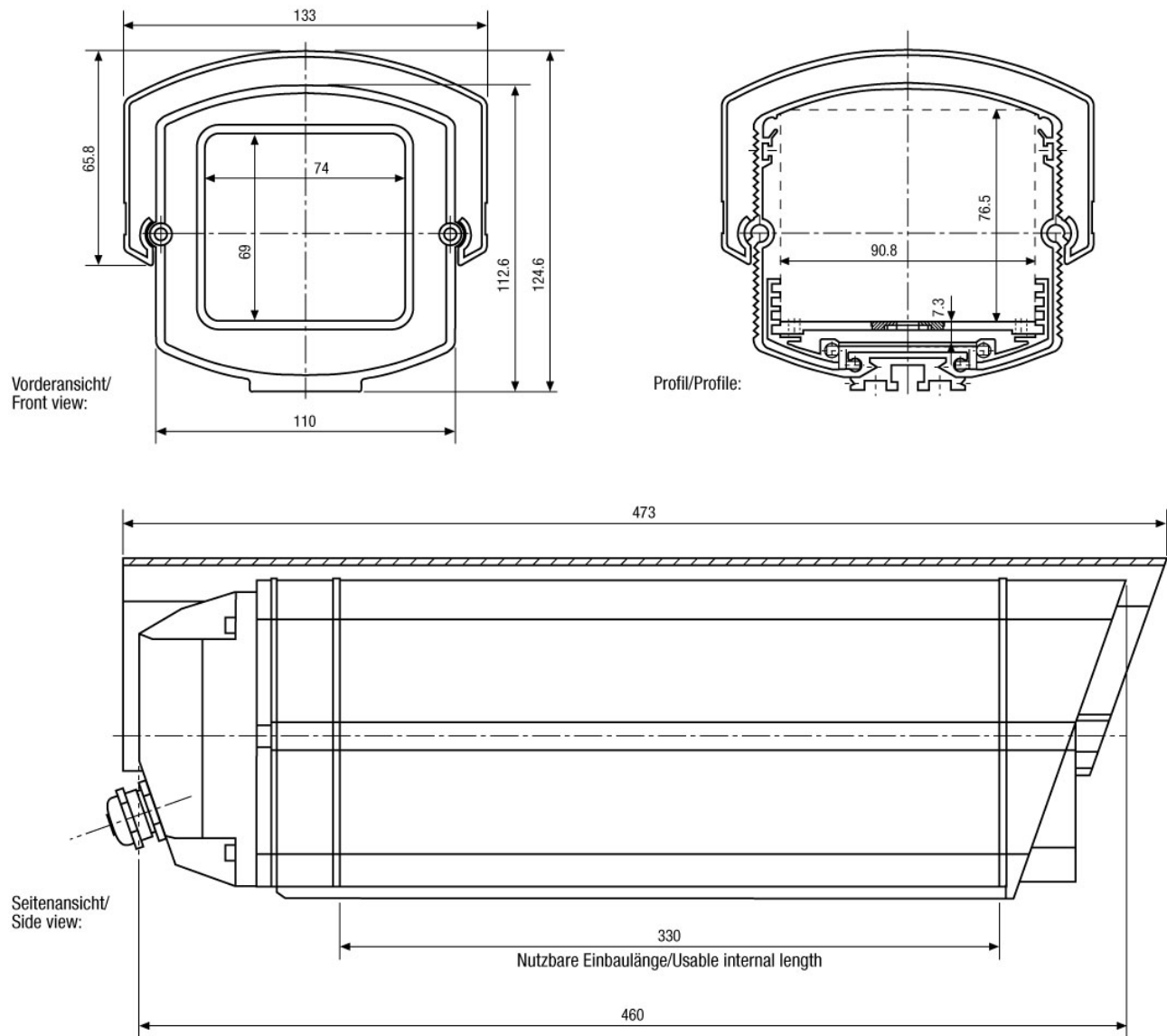
VHM/ZLB-W

Available Accessories

Bild	Art. Nr. / Bezeichnung	Beschreibung
	70457 / AK-3	Camera Connection box, 230V Input, 24V-3.2A, 12V-1A Outputs
	73176 / DH-5-W	Ceiling Bracket with adjustable Housing Mount Angle, RAL9016
	73177 / WD-16/MK-W	Wall Mount with Swivel Head for VHM Weatherproof Housings, RAL9016
	79609 / VHM/KV1	Cable Connection Board with Thermostat for VHM/Z Housing

VHM/ZLB-W

Technical Drawing



Maße/Dimensions: mm

Your Contact Person



eneo is a registered trademark of
VIDEOR E. Hartig GmbH
Carl-Zeiss-Straße 8
63322 Rödermark
Deutschland
Tel.: +49 6074-888-333
E-Mail: info@eneo-security.com
Web: www.eneo-security.com