



## VHM/ECLKA-W

Article number: 79674

Weatherproof Housing (330mm) w. Heater, Thermostat, CBD, RAL9016/7035, 230V

### Mainfeatures

Camera weather protection

Fold-down housing body

Insulated camera mounting

3 cable entries M16x1.5mm

Window glass with "Clear-Shield" technology

Protection rating: IP66

Housing body length: 330mm

4 levels of camera height adjustment

Integrated connection board

PTC window heater 100-265V included

Incorporated carrier handle

Housing colour: RAL9016/RAL7035

### Specifications

Series	eneo VHM
Dimensions (HxWxD)	see drawing
Clear Shield	yes
Colour (housing)	RAL9016, RAL7035
Housing	aluminium with plastic covers (ABS)
Housing	outdoor
Housing size	medium
Housing material	metal (aluminium)
Maximum installation length	330 mm
Weight	2.8kg
Heater	yes
Integrated wall mount	no






## VHM/ECLKA-W

### Specifications continued

Blower	no
Window heater	yes
Protection rating	IP66
Hidden cable management	optional
Sunshield	yes
Supply voltage	100~240VAC
Wiper	no
Parts supplied	Screw set, Thermostat switch, Screw terminal

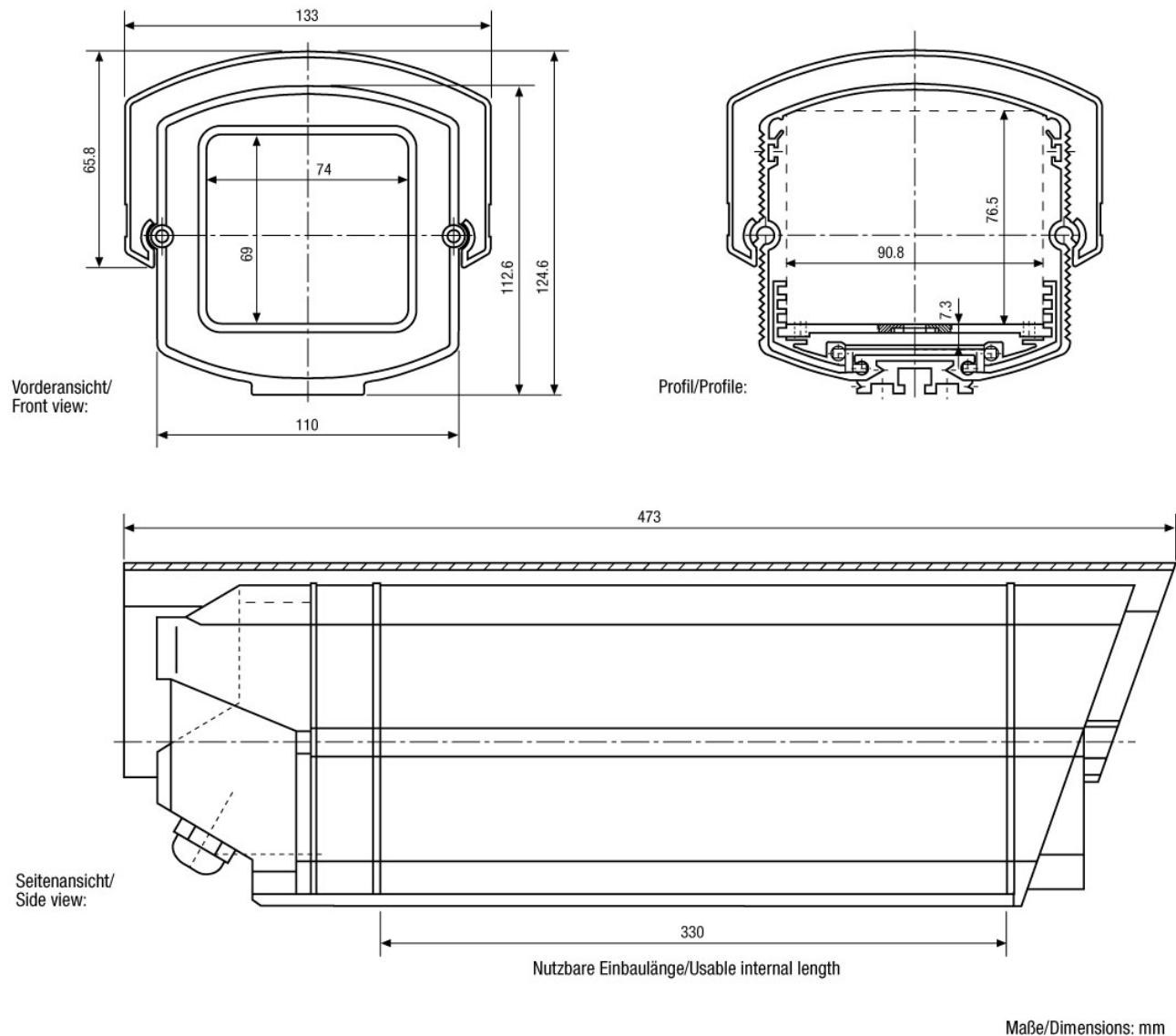
## VHM/ECLKA-W

### Available Accessories

Bild	Art. Nr. / Bezeichnung	Beschreibung
	70457 / AK-3	Camera Connection box, 230V Input, 24V-3.2A, 12V-1A Outputs
	73176 / DH-5-W	Ceiling Bracket with adjustable Housing Mount Angle, RAL9016
	73177 / WD-16/MK-W	Wall Mount with Swivel Head for VHM Weatherproof Housings, RAL9016
	79423 / NE-112/2	Power Supply Unit 230V/12V (600mA), Regulated, 24V (1000mA) f. VHM Housing
	79696 / VHM/PC-1-LG	Plug-in shield for VHM/EC&ST Housing Series, 330mm, RAL7035

# VHM/ECLKA-W

## Technical Drawing



## Your Contact Person



eneo is a registered trademark of  
VIDEOR E. Hartig GmbH  
Carl-Zeiss-Straße 8  
63322 Rödermark  
Deutschland  
Tel.: +49 6074-888-333  
E-Mail: info@eneo-security.com  
Web: www.eneo-security.com