



EHL-W/ECLKA

Article number: 79653

Weatherproof Housing (300mm) w. Heater, Thermostat, Wall Bracket, RAL9002,230V

Mainfeatures

Camera weather protection w. integrated sunshield

UV resistant ABS plastic front and back part

Accepts camera & lens combinations up to 252mm

2 cable entry glands M16x1.5mm

Protection rating: IP66

Wall bracket with swivel head included

Fold-down aluminium housing body

3mm glass front window

Insulated camera mounting

230V window heater included

Housing colour: RAL9002

Option: PSU 12/24V, Blower kit, Camera support kit

Specifications

| | |
|-----------------------------|-------------------------------------|
| Series | eneo EHL |
| Colour (housing) | RAL9002 |
| Housing | aluminium with plastic covers (ABS) |
| Housing | outdoor |
| Housing size | small |
| Housing material | metal (aluminium) |
| Maximum installation length | 252 mm |
| Weight | 2.4kg (incl. wall bracket) |
| Integrated wall mount | yes |
| Blower | optional |
| Window heater | yes |
| Protection rating | IP66 |







EHL-W/ECLKA

Specifications continued

| | |
|-------------------------|---|
| Hidden cable management | no |
| Sunshield | yes |
| Supply voltage | 100~240VAC |
| Wiper | no |
| Certificates | CE |
| Parts supplied | Camera housing, mountable RJ-45 plug, Wallbracket, Manual |

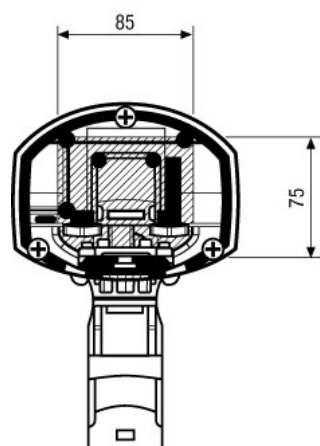
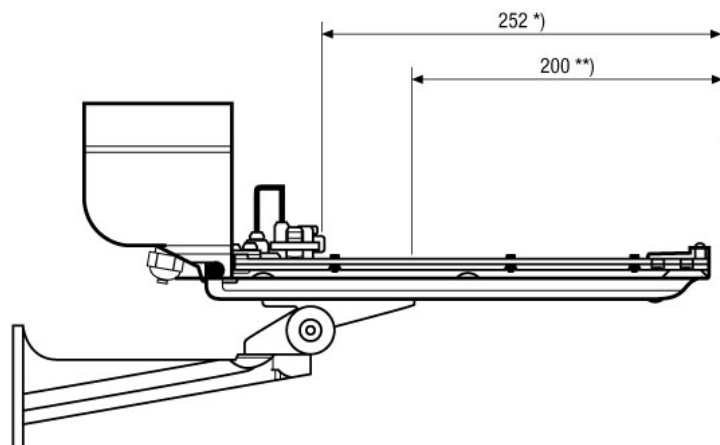
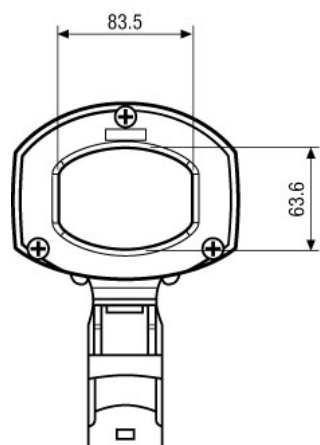
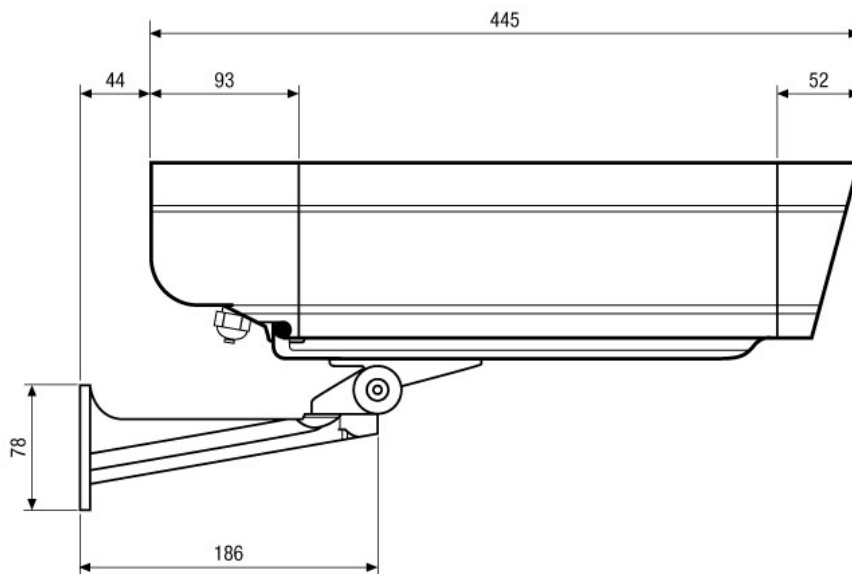
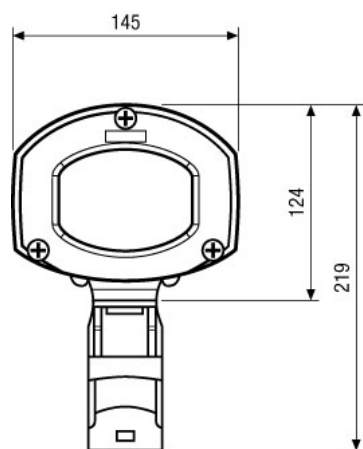
EHL-W/ECLKA

Available Accessories

| Bild | Art. Nr. / Bezeichnung | Beschreibung |
|---|------------------------|---|
|  | 70457 / AK-3 | Camera Connection box, 230V Input, 24V-3.2A, 12V-1A Outputs |
|  | 73173 / MK-5-W | Pole Mount Bracket & Swivel Head for Weatherproof Housings, RAL9002 |
|  | 79568 / NE-119/24V | Power Supply Unit 230V/24V (400mA) for EHL-W/ECLKA Housing Series |
|  | 79592 / PM-6S | Pole Mount Adapter for 1 Wall Mount, (50-140mm Pole), RAL9002 |
|  | 79593 / PM-6D | Pole Mount Adapter for 2 Wall Mounts, (50-140mm Pole), RAL9002 |
|  | 79663 / NE-131/12V | Power Supply Unit 230V/12VDC-1 .25A for Housings EHL-W/ECLKA and EHL-W/ECLKA-NW |

EHL-W/ECLKA

Technical Drawing



*) frei nutzbare Einbaulänge
free usable internal length

**) frei nutzbare Einbaulänge bei Verwendung des Netzgeräts #79663
free usable internal length when using PSU #79663

Maße/Dimensions: mm

Your Contact Person



eneo is a registered trademark of
VIDEOR E. Hartig GmbH
Carl-Zeiss-Straße 8
63322 Rödermark
Deutschland
Tel.: +49 6074-888-333
E-Mail: info@eneo-security.com
Web: www.eneo-security.com