



EDMC/CWB-1

Article number: 74155

Wall or Pendant Mount Kit f. Dome Camera Series
EDMC, NTD, NLD, NXD & VKCD-1375



Mainfeatures

Specifications

Colour	Pantone Cool Gray 1C
Housing	Aluminium, Pipes: Steel
Weight	1.2kg
Load capacity	5.0kg
Categorie	Mounting

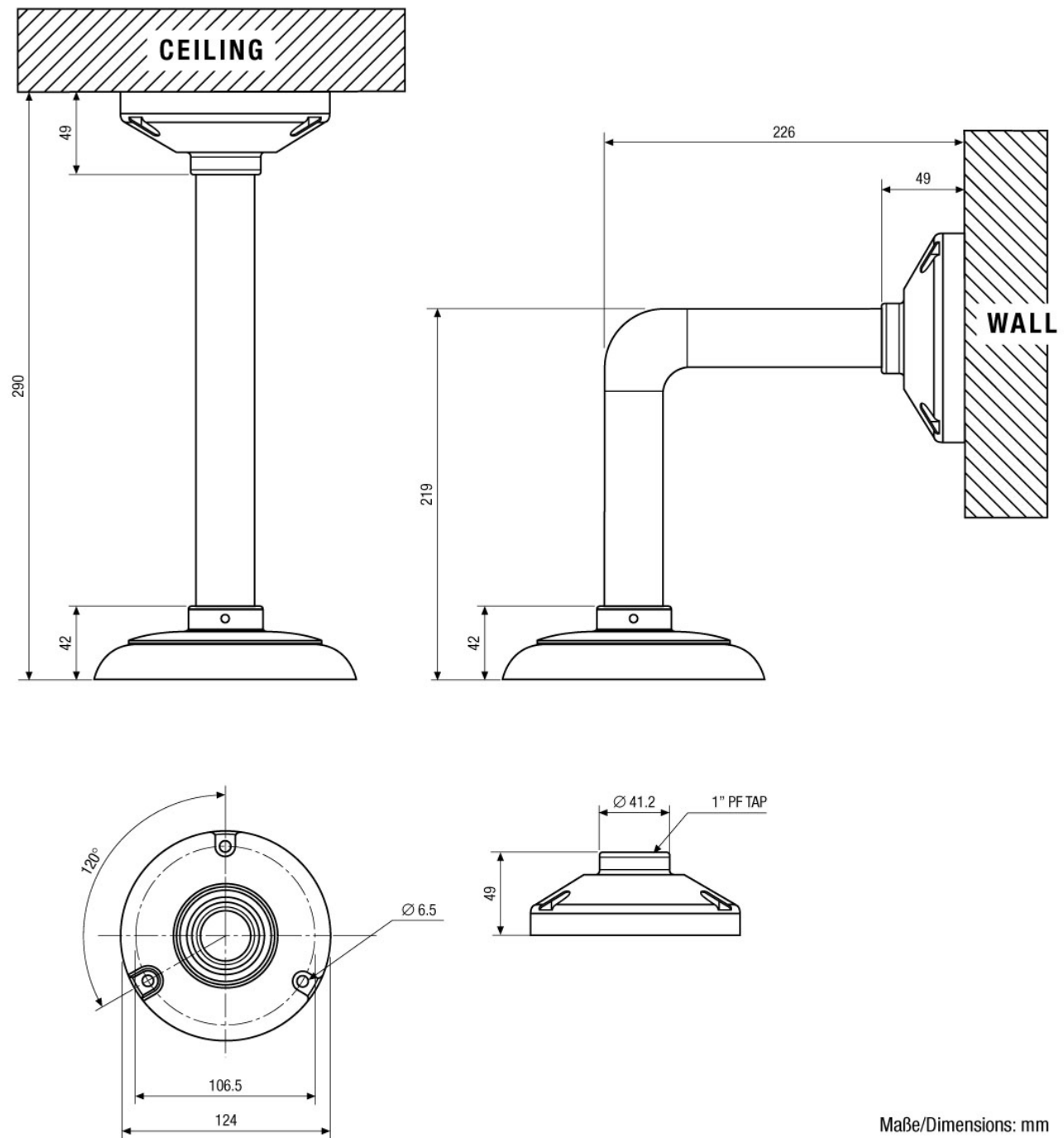
EDMC/CWB-1

Available Accessories

Bild	Art. Nr. / Bezeichnung	Beschreibung
	74054 / EDC-CMA2	Corner Mount Adapter for EDC-IPx1/OPx1 Housings and Wall Bracket EDC/WMB1
	74055 / EDC-PM7	Pole Mount Adapter for EDC-IPx1/OPx1 Housings and Wall Bracket EDC/WMB1

EDMC/CWB-1

Technical Drawing



Maße/Dimensions: mm

Your Contact Person



eneo is a registered trademark of
VIDEOR E. Hartig GmbH
Carl-Zeiss-Straße 8
63322 Rödermark
Deutschland
Tel.: +49 6074-888-333
E-Mail: info@eneo-security.com
Web: www.eneo-security.com