



EDC-IDFSW

Article number: 74154

Flush Mount Dome Housing, White Trimring Smoked Bubble 6.8"

Mainfeatures

In-ceiling mount housing for ceiling tile assy.

For dome cameras of Fastrax Series I - III


6.8" (172mm) smoked bubble

Specifications

Colour	White trimring
Colour (housing)	black
Colour (bubble)	tinted
Housing	Steel metal, Trimring: aluminium, Bubble: tinted acrylic plastic
Housing	indoor
Housing material	metal (aluminium)
Weight	approx. 300g
Heater	no
Camera fixing	dome
Mounting	housing assy
Protection rating	n/a
Load capacity	approx. 3kg
Vandalism resistant	no
Parts supplied	Flush mount housing, Trimring, 6.8" tinted camera bubble
Categorie	Housings

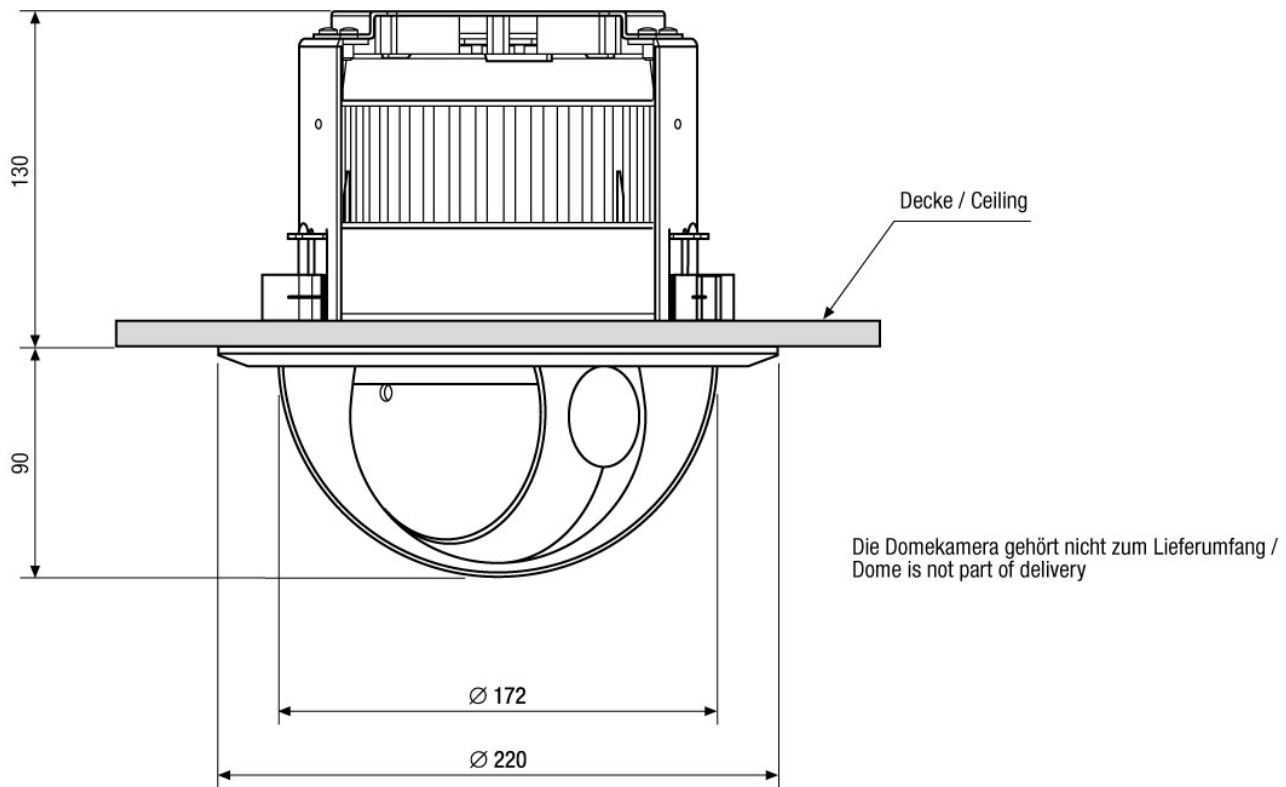
EDC-IDFSW

Available Accessories

Bild	Art. Nr. / Bezeichnung	Beschreibung
	211360 / EDC-OPX/ HD-SDI	Connection cable Fastrax HDD-2030PTZ1080 in In/Outdoor Housing

EDC-IDFSW

Technical Drawing



Maße/Dimensions: mm

Your Contact Person



eneo is a registered trademark of
VIDEOR E. Hartig GmbH
Carl-Zeiss-Straße 8
63322 Rödermark
Deutschland
Tel.: +49 6074-888-333
E-Mail: info@eneo-security.com
Web: www.eneo-security.com