



VDOME/WB2

Article number: 74151

Wall Mount Kit for Vandalism Resistant Dome
Cameras SM/VF Series

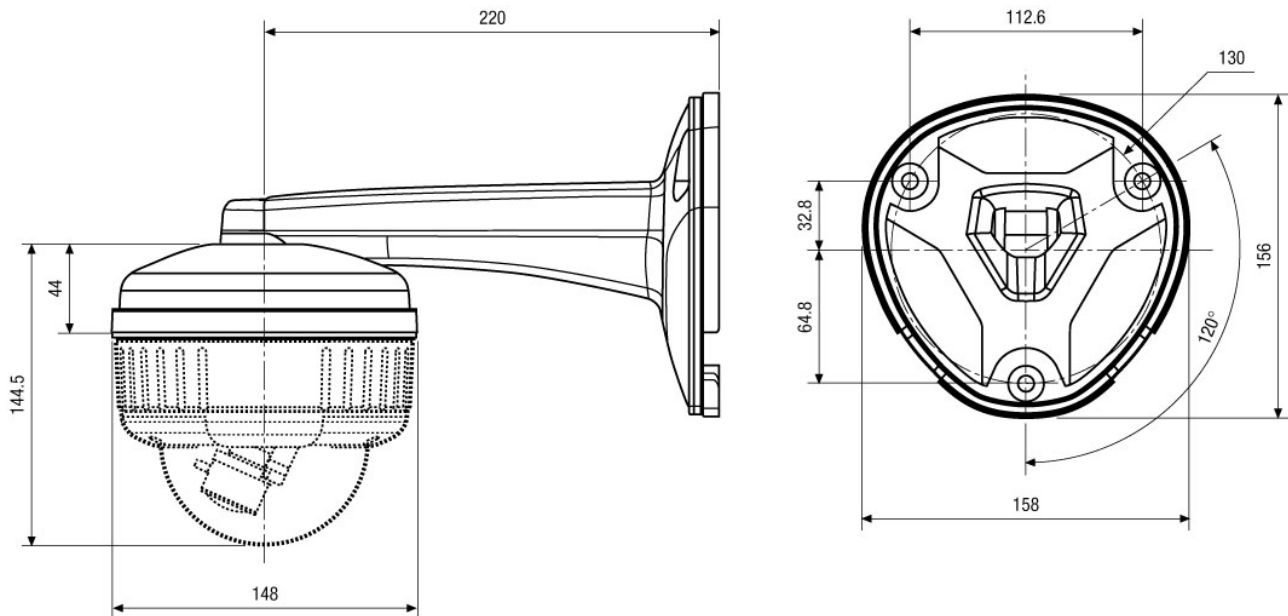
Mainfeatures

Specifications

Weight	0,85 kg
Categorie	Mounting

VDOME/WB2

Technical Drawing



Maße/Dimensions: mm

Your Contact Person



eneo is a registered trademark of
VIDEOR E. Hartig GmbH
Carl-Zeiss-Straße 8
63322 Rödermark
Deutschland
Tel.: +49 6074-888-333
E-Mail: info@eneo-security.com
Web: www.eneo-security.com