



EDC-OPC-2/24V

Article number: 74130

Pendant Mount Outdoor Dome Housing, Sun Shield, Clear Bubble 6.5", 24VAC

Mainfeatures

Outdoor housing for Fastrax I - III dome cameras

Prepared for wall and ceiling mounting

Supply voltage: 24VAC/50-60Hz

Option: Wall and ceiling mount brackets, power box

Clear bubble 6.5" (165mm)

Sunshield, heater and blower kit included

Protection rating: IP66









Option: Connection cable #74143 & #74144

Specifications

Colour (housing)	Pantone Cool Gray 1C
Colour (bubble)	clear
Housing	outdoor
Housing material	metal (aluminium)
Weight	3,6kg
Heater	yes
Camera fixing	dome
Bubble	165mm (6.5"), clear acrylic plastic
Power consumption	approx. 75W for heater, blower and incl. dome camera
Mounting	wall or ceiling pendant mount
Protection rating	IP66
Supply voltage	24VAC, 50/60Hz
Temperature range (operation)	-45°C ~ +50°C
Load capacity	approx. 2kg
Categorie	Housings

EDC-OPC-2/24V

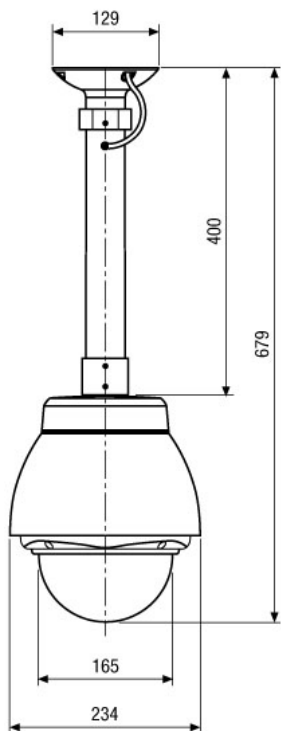
Available Accessories

Bild	Art. Nr. / Bezeichnung	Beschreibung
	74125 / EDC-AKS1	Power&Connection Box with Mounting Bracket for In/Outdoor, 230V-24VAC/3.0A
	74127 / EDC-WMB1	Wall Mount for PTZ Dome Cameras with Mounting Kit
	74128 / EDC-CMT1	Ceiling Mount Tube with Flange Plate for PTZ Dome Cameras
	74140 / EDC-RTB2	Pole & Roof Mount Bracket for Fastrax 2 outdoor Housings & EDCH
	74143 / EDC-OPX/IPX-CC1	Connection cable for EDC-xxx-2 Fastrax ,Standard Domes in In/Outdoor Housing
	74144 / NTD-OPX/IPX-CC1	Connection cable for NTD-6101/xx Network Domes in In/Outdoor Housing
	70449 / NE-128	Voltage supply unit 230V/24V-5A, IP66
	211360 / EDC-OPX/ HD-SDI	Connection cable Fastrax HDD-2030PTZ1080 in In/Outdoor Housing

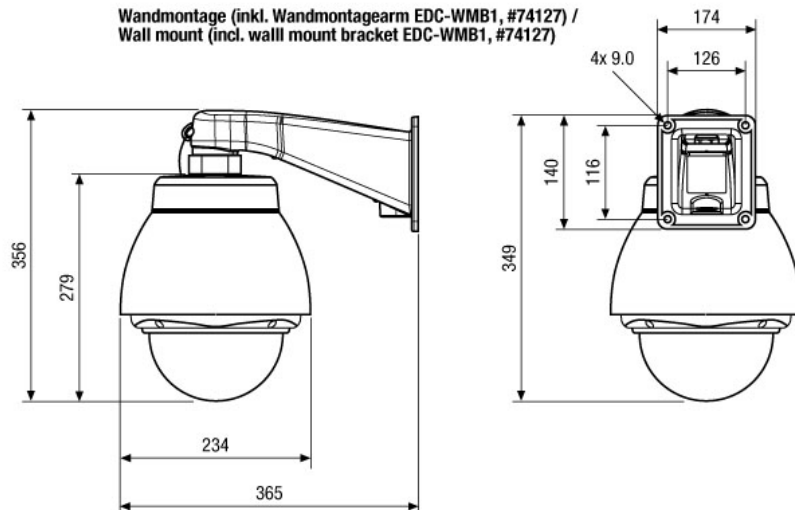
EDC-OPC-2/24V

Technical Drawing

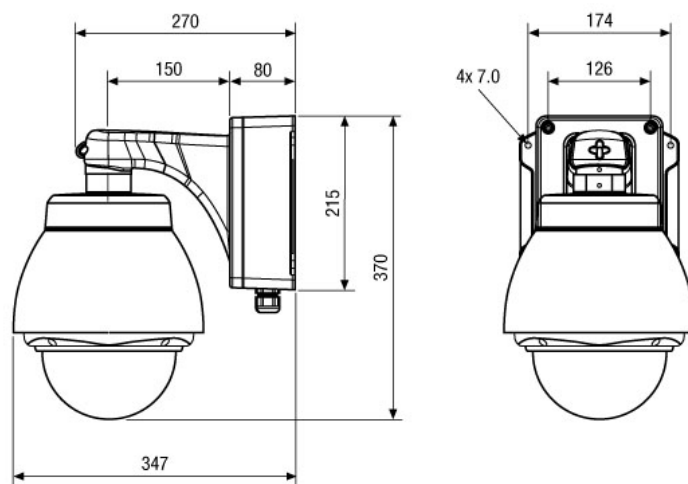
Deckenmontage (inkl. Deckenmontagerohr EDC-CMT1, #74128) /
Ceiling mount (incl. ceiling mount tube with flange plate EDC-CMT1, #74128)



Wandmontage (inkl. Wandmontagearm EDC-WMB1, #74127) /
Wall mount (incl. wall mount bracket EDC-WMB1, #74127)



Wandmontage (inkl. Anschlussbox mit Netzgerät und Montagearm EDC-AKS-1, #74125) /
Wall mount (incl. power & connection box with mounting bracket EDC-AKS-1, #74125)



Der Wandmontagearm, die Deckenhalterung und die Anschlussbox mit Netzgerät sind im Lieferumfang des Domegehäuses nicht enthalten.
Wall bracket, ceiling tube and power & connection box are not included with the dome camera housing.

Maße / Dimensions: mm

Your Contact Person



eneo is a registered trademark of
VIDEOR E. Hartig GmbH
Carl-Zeiss-Straße 8
63322 Rödermark
Deutschland
Tel.: +49 6074-888-333
E-Mail: info@eneo-security.com
Web: www.eneo-security.com