



## EDC-CMT1

Article number: 74128

Ceiling Mount Tube with Flange Plate for PTZ Dome Cameras

### Mainfeatures

For ceiling mounting of PTZ dome cameras

Rugged steel tube with flange plate

Hidden cable harness

Ready for installation

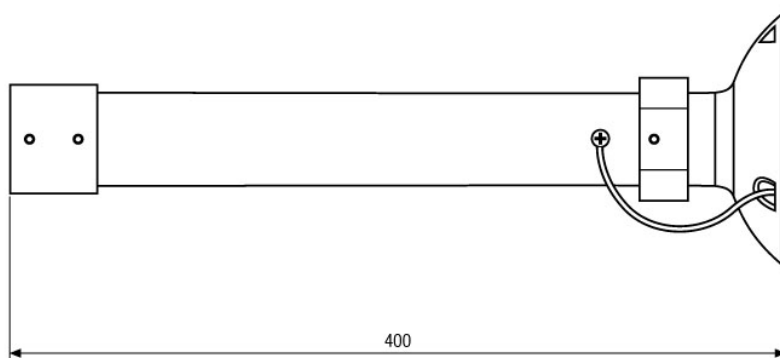
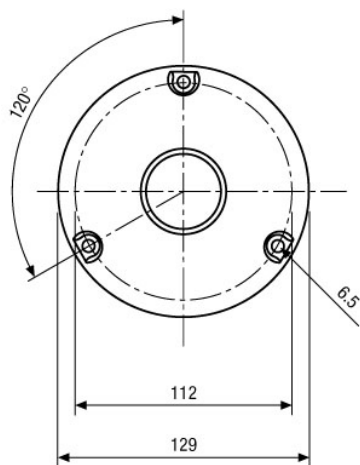
### Specifications

Categorie

Mounting

# EDC-CMT1

## Technical Drawing



Maße/Dimensions: mm

## Your Contact Person



eneo is a registered trademark of  
VIDEOR E. Hartig GmbH  
Carl-Zeiss-Straße 8  
63322 Rödermark  
Deutschland  
Tel.: +49 6074-888-333  
E-Mail: [info@eneo-security.com](mailto:info@eneo-security.com)  
Web: [www.eneo-security.com](http://www.eneo-security.com)