



WDDG-2

Article-No.: 71494

Dome Surface Mount Housing for
Board Camera, Pantone Coolgray
1C

Mainfeatures

For Wall and Ceiling Surface Mount
For Board Cameras upto 42x42 mm
Manual 2-axis Camera Adjustment

Clear Lexan Bubble with Inner Liner
Vandal and Tamper-Resistant
For Easy Indoor and Outdoor Installation



Specifications

Camera fixing	board
Camera fixing	Board cameras upto 42 (L) x 42 (W) x 65 (H) mm
Camera mount	On a turn and tiltable mounting bracket Adjustment range: 360° (H), 0 to 90° (V)
Bubble	Vandal resistant 3mm clear polycarbonate bubble with inner liner
Heater	optional
Voltage input	40VAC max.
Protection rating	IP65
Protection rating	at installation according to the manual
Cable entry	3/4" and 1/2" thread for conduit glands, lock stopper included
Mounting	wall mount, ceiling mount
Vandalism resistant	yes
Housing	outdoor
Housing material	aluminium
Housing	Die-cast aluminium with clear polycarbonate bubble
Colour (housing)	Pantone Cool Gray 1C
Colour (bubble)	clear
Dimensions (HxWxD)	see drawing

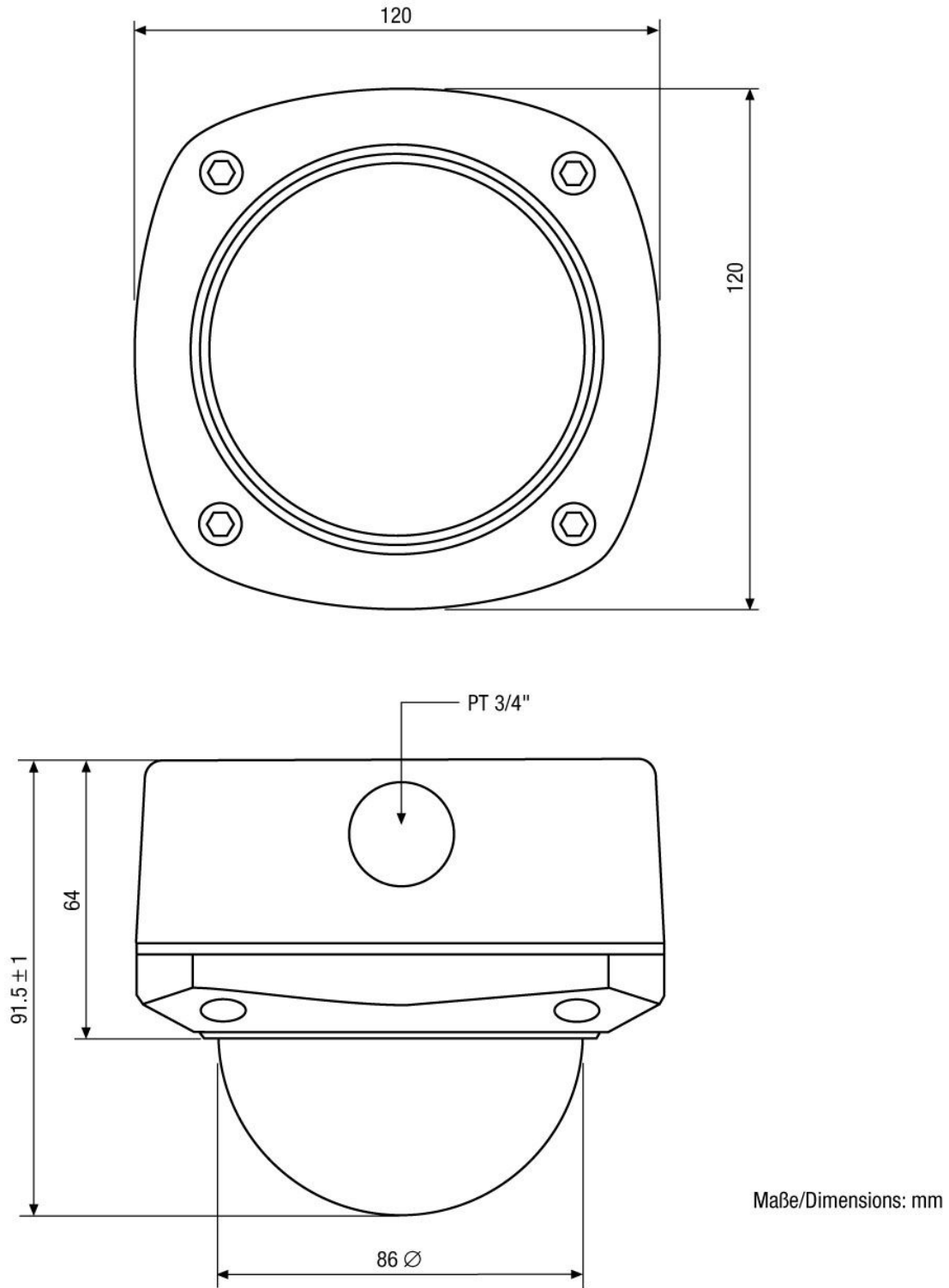
Specifications (continued)

Weight	720g
Parts supplied	Mounting kit, 1/2" gland, Blind covers, Torx wrench key

Optional Accessories

Image	Article ID / type	Description
	WDDG2/H12	Low Voltage Heater Kit 12V/8W for WDDG-2 housing
	VT-PS12DC-10	Plugable AC/DC Adapter 100-240V/12VDC- 2.5A, stab., Cont. & UK Mains plug-ins

Technical Drawing





Your partner for eneo products:

