



WD-23

Article number: 70771

Wall Mount Bracket with Ball Joint, 1/4" Camera Fixing Screw, Pantone 877

Mainfeatures

For wall and ceiling mounting

Adjustable ball-point head

Rugged aluminium construction

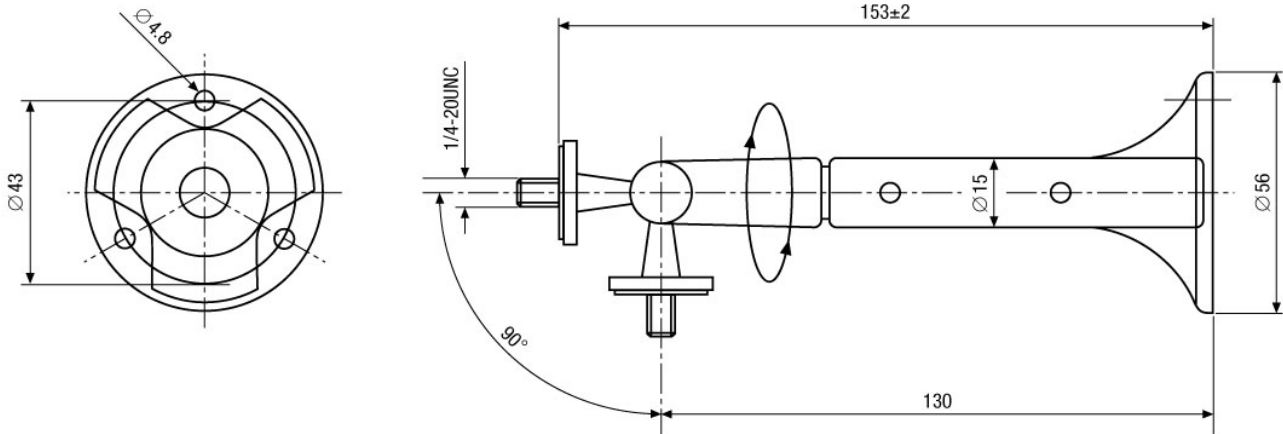
Ready for installation

Specifications

Dimensions (HxWxD)	see drawing
Colour	Pantone 877
Weight	approx. 80g
Load capacity	500g
Parts supplied	3x 3.5x20mm self-tapping screws
Material	Aluminium
Categorie	Mounting

WD-23

Technical Drawing



Maße/Dimensions: mm

Your Contact Person



eneo is a registered trademark of
VIDEOR E. Hartig GmbH
Carl-Zeiss-Straße 8
63322 Rödermark
Deutschland
Tel.: +49 6074-888-333
E-Mail: info@eneo-security.com
Web: www.eneo-security.com