



WD-22

Article number: 70769

Wall Mount Bracket with Ball Joint, 1/4" Camera Fixing Screw, Beige Grey

Mainfeatures

For wall and ceiling mounting

Adjustable ball-point head

Rugged plastic construction

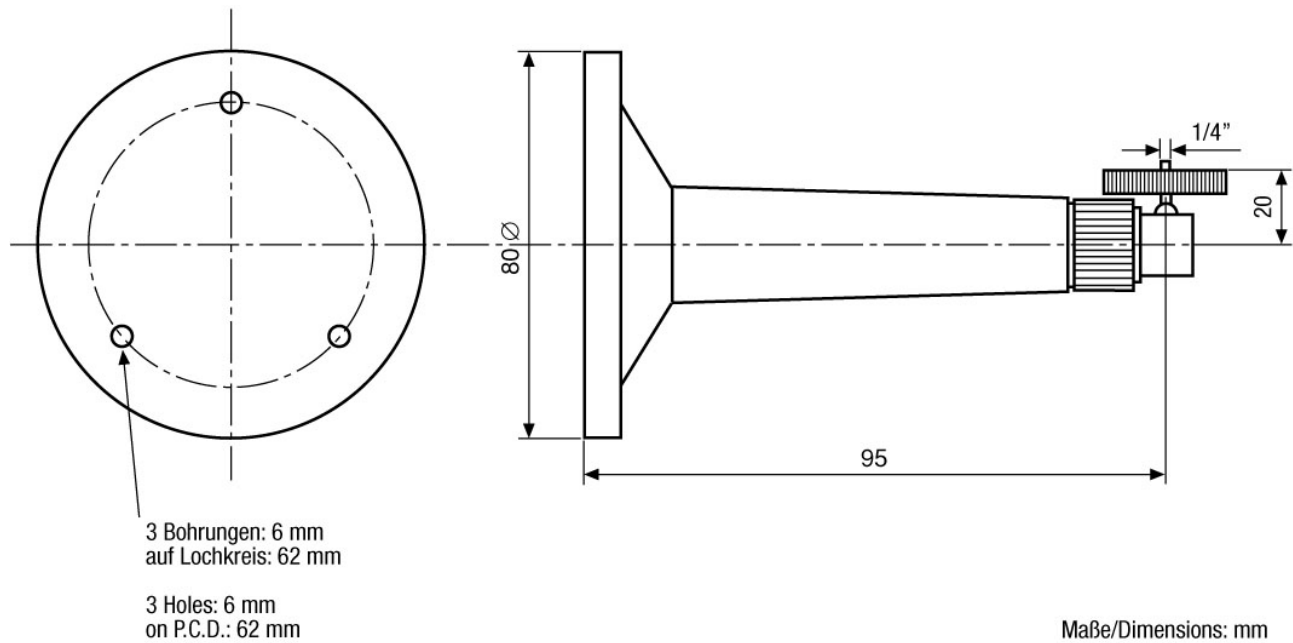
Ready for installation

Specifications

Colour	Beige
Weight	40g
Load capacity	500g
Material	Plastic (ABS)
Categorie	Mounting

WD-22

Technical Drawing



Your Contact Person



eneo is a registered trademark of
VIDEOR E. Hartig GmbH
Carl-Zeiss-Straße 8
63322 Rödermark
Deutschland
Tel.: +49 6074-888-333
E-Mail: info@eneo-security.com
Web: www.eneo-security.com