



F0212NDDC-NFS

Article-No.: 47161

F1.2/2.2mm DC Lens with No
Focus Shift, 1/3" CS Mount

Mainfeatures

Suitable for 1/3" and 1/4" colour and b&w cameras
Monofocal length
CS mount
4 pin connector for DC iris control

No-focus-shift from visible to near IR light range
Aspherical lens elements
High standard of optical and mechanical quality
Adjustable slip-ring mount for cable positioning

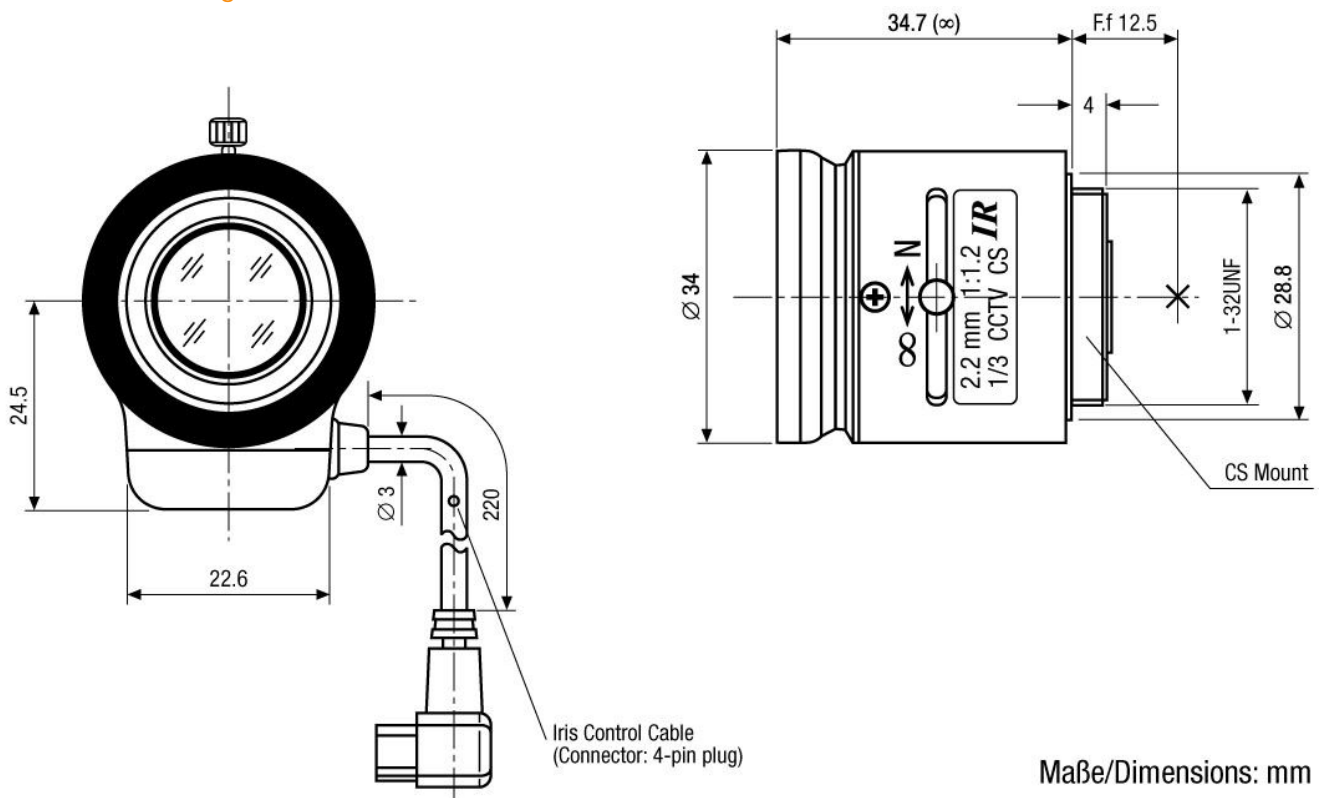
Specifications

Lens type [#1]	fixed focal length
Application range	day/night
Day/Night	yes
Megapixel	no
Aspherical technology	yes
Nominal format size	1/3"
Flange focal length	12.5mm
Mount	CS
Focal length	2,2 mm
Horizontal angle of view	118,6°
MOD (Minimum object distance)	0,1 m
Aperture range (F)	F1.2-F280
Iris control	DC
Iris control system	Galvanometer
Focus constant range	+0.025mm (Focus deviation at switch-over to IR light at 850nm)
Screw-in depth	5.5mm
Filter screw size	not available

Specifications (continued)

Cable length	approx. 20cm
4-pin plug	Standard
Temperature range (operation)	-20°C ~ +60°C
Length	34,7 mm
Diameter	34 mm
Radius	24,5 mm
Dimensions (LxDxH)	See drawing
Weight	49g

Technical Drawing





Your partner for eneo products:

