



F05Z10NDDC-MP

Article number: 43264

F1.4/5-50mm Megapixel DC Lens with variable Focal Length, 1/3" CS Mount

Main features

Suitable for 1/3" and cameras >1 MPx.

Aspherical lens elements

High standard of optical and mechanical quality

Adjustable slip-ring mount for cable positioning

Variable focal length

CS mount

4 pin connector for DC iris control

Specifications

Day/Night	no
Megapixel	yes
Lens type	varifocal
Focal length	5 - 50 mm
Mount	CS
Aperture range (F)	F1.4~F260
Iris control	DC
Filter screw size	not available
Nominal format size	1/3"
Aspherical technology	yes
Horizontal angle of view	53,8 - 5,5 °
Application range	megapixel (max. 1.3 MP)
Diameter	46 mm
Weight	77g
Length	60,2 mm
Radius	33,7 mm

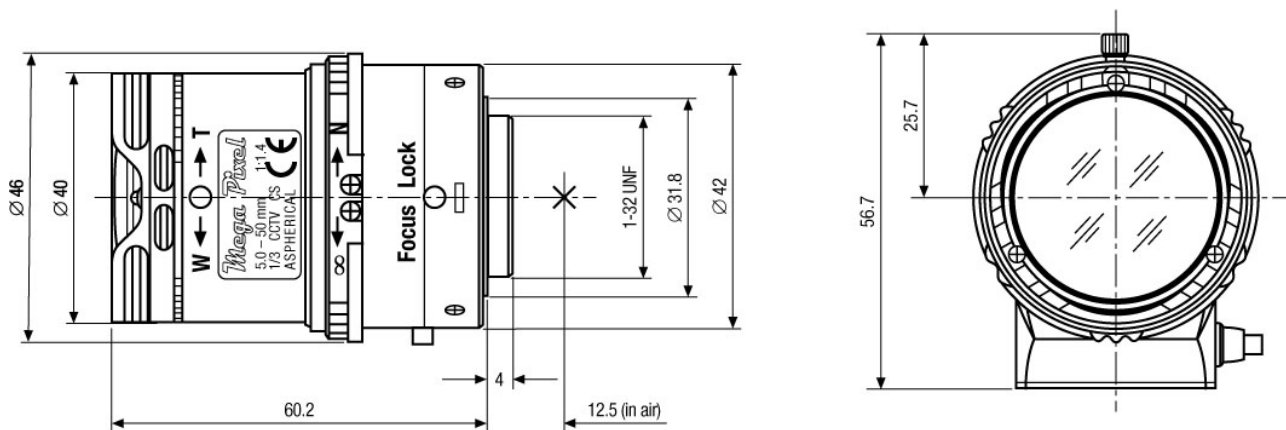
F05Z10NDDC-MP

Specifications continued

Temperature range (operation)	-20°C ~ +60°C
-------------------------------	---------------

F05Z10NDDC-MP

Technical Drawing



Maße/Dimensions: mm

Your Contact Person



eneo is a registered trademark of
VIDEOR E. Hartig GmbH
Carl-Zeiss-Straße 8
63322 Rödermark
Deutschland
Tel.: +49 6074-888-333
E-Mail: info@eneo-security.com
Web: www.eneo-security.com