



F05Z10NDDC

Article number: 43196

F1.4/5-50mm Aspherical DC Lens, 1/3" CS Mount, Variable Focal Length

Main features

Suitable for 1/3" and 1/4" colour and b&w cameras

Aspherical lens elements

High standard of optical and mechanical quality

With 4 pin connector

Variable focal length

CS mount

Without built-in auto iris amplifier

Adjustable Slip-ring Mount for Cable Positioning

Specifications

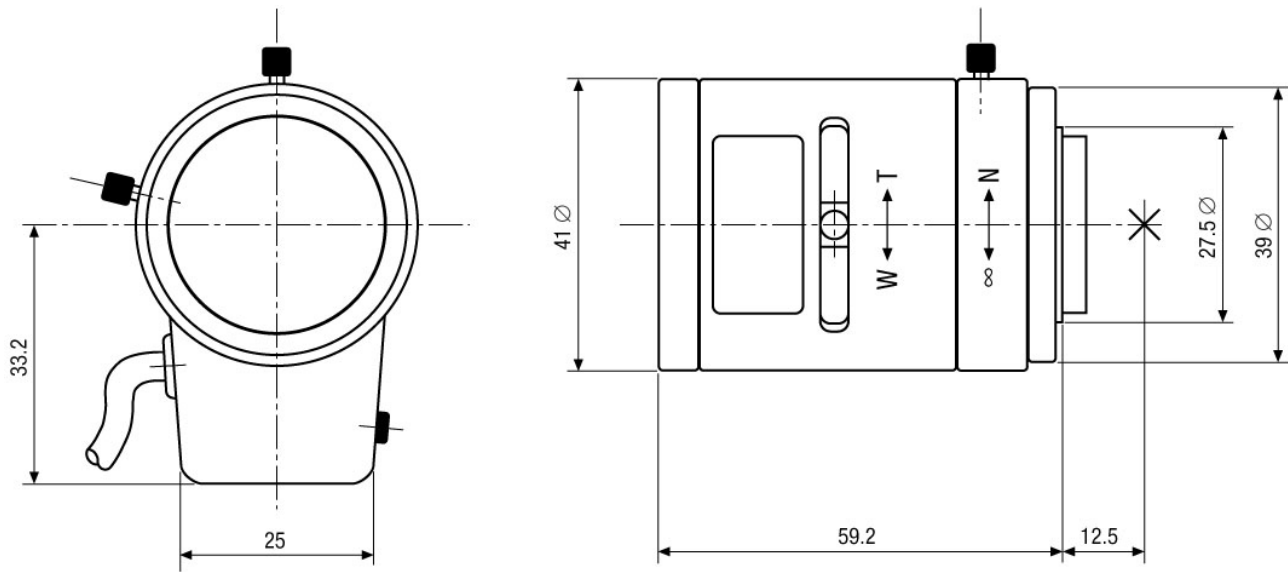
Day/Night	no
Megapixel	no
Lens type	varifocal
Focal length	5 - 50 mm
Mount	CS
Aperture range (F)	F1.4~F260
Iris control	DC
Filter screw size	not available
Nominal format size	1/3"
Aspherical technology	yes
Horizontal angle of view	53,6 - 5,6 °
Diameter	41 mm
Weight	97g
Length	59,2 mm
Radius	33,2 mm
Temperature range (operation)	-20°C ~ +60°C

F05Z10NDDC

Specifications continued

F05Z10NDDC

Technical Drawing



Maße/Dimensions: mm

Your Contact Person



eneo is a registered trademark of
VIDEOR E. Hartig GmbH
Carl-Zeiss-Straße 8
63322 Rödermark
Deutschland
Tel.: +49 6074-888-333
E-Mail: info@eneo-security.com
Web: www.eneo-security.com