

ET2212 Series

Unmanaged Industrial 2-port 10/100/1000Base-TX + 1-port 1000Base-FX Ethernet Switch



Features

General

- ▶ Converts 10/100/1000Base-TX to 1000Base-FX
- ▶ 10/100/1000Mbps-Full/Half duplex, Auto-Negotiation, Auto MDI/MDI-X
- ▶ Dual-fiber operation with SC or ST connectors
- ▶ Plug-and-Play / Hot-swappable
- ▶ Store and forward switching mechanism
- ▶ Wall-mount or operate in ET-C12 rack mount chassis
- ▶ -20°C to 60°C (-4°F to 140°F) operating temperature

Warranty

- ▶ 3-Year Warranty

Ordering Information

Model	Description			
ET2212-X-YY	2-port 10/100/1000Base-TX + 1-port 1000Base-FX Ethernet Switch			
(X) =	Fiber Options	Wavelengths	Link Budget	Max. Distance
A	Multimode/2-fiber/SC	1310nm	19dB	500m
B	Singlemode/2-fiber/SC	1310nm	19dB	20km
G	Multimode/2-fiber/ST	1310nm	19dB	500m
H	Singlemode/2-fiber/ST	1310nm	19dB	2km
(YY) =	Installation			
SA	Standalone Wall-Mount			
CM	Card Module			
Power Options	<ul style="list-style-type: none"> ■ ET-PA/12V 1.25A 12VDC Power Adaptor. DC Jack. ■ Power Adaptor is included for all sales. ■ For CM Model, power from ET-C12 Chassis. 			

NOTES: (1) Transmission distance will suffer if additional losses are introduced by the optical connectors, fusions, splices and the fibers within the network.

(2) Operating distance of multimode is limited by the characteristics of the fiber bandwidth.

(3) Please feel free to consult factory for any special requirement and customization

Specifications

Ethernet

Standards:	IEEE802.3 10Base-T IEEE802.3u 100Base-TX/FX IEEE802.3ab 1000Base-T IEEE802.3z 1000Base-LX IEEE802.3x
Processing Type:	Store and forward Half-duplex, Full-duplex IEEE802.3x Full-duplex flow control
Forward Filter Rate:	14,880pps (10Mbps) 148,800pps (100Mbps) 1,488,000pps (1000Mbps)
Cabling:	10/100Base-TX: Cat5 or above 1000Base-TX: Cat5 or above
Maximum Distance:	Cat5 UTP up to 100m
Connector:	2x RJ45
Address Table Size:	2048 MAC Addresses

Optical

Cabling:	62.5/125µm (Multimode) 9/125µm (Singlemode)
Maximum Distance:	500m (Multimode) 20km (Singlemode)
Wavelength:	1310 nm
Connector:	SC/ST

Environmental

Operating Temperature:	-20°C to 60°C (-4°F to 140°F)
Storage Temperature:	-40°C to 85°C (-40°F to 185°F)
Relative Humidity:	0% to 95% non-condensing

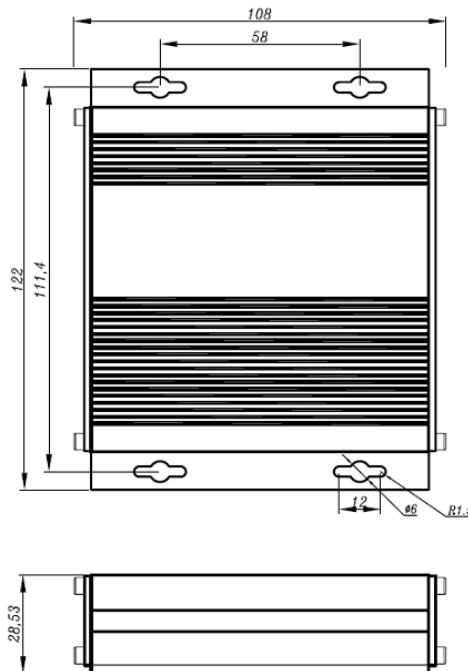
Electrical and Mechanical

Input Power:	12VDC
Power Consumption:	4W Max. 0.33A@12VDC
LED Indicators:	
Power:	PowerStatus
10/100/1000TX(Per Port):	Link/Activity, Full-duplex/Collision, Speed
1000FX(Per Port):	Link/Activity
Dimensions (WxDxH):	
Standalone	122 x 30 x 103 mm
Card Module	130 x 31 x 111 mm
Weight:	
Standalone	0.33Kg (0.43Kg with PA)
Card Module	0.33Kg
Casing:	Aluminum case
Mounting Options:	Wall-mount/ET-C12 Rack Mount

Regulatory Approvals

ISO9001
FCC Class A
EN55022:2006 Class A
EN 55024:1998 + A1:2001 + A2:2003

Unit: mm



OT Systems Ltd., May 2014

Due to continuous improvement, all product specifications are subject to change without further notice.

