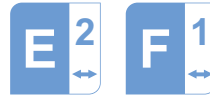


ET2111 Series

Unmanaged Industrial 2-port 10/100Base-TX + 1-port 100Base-FX Ethernet Switch



Features

General

- ▶ Converts 10/100Base-TX to 100Base-FX
- ▶ Full/Half duplex, Auto-Negotiation
- ▶ Singlemode or Multimode fiber operation
- ▶ Single or Dual-core fiber with SC or ST connectors
- ▶ Store and forward switching mechanism
- ▶ MDI/MDI-X Auto-Crossover supported
- ▶ Plug-and-Play
- ▶ Wall-mount or operate in ET-C12 rack mount chassis
- ▶ -20°C to 60°C (-4°F to 140°F) operating temperature

Warranty

- ▶ 3-Year Warranty

Ordering Information

Model	Description
-------	-------------

ET2111-X-YY 2-port 10/100Base-TX + 1-port 100Base-FX Ethernet Switch

(X) =	Fiber Options	Wavelengths	Link Budget	Max. Distance
A	Multimode/2-fiber/SC	1310nm	14dB	2km
B	Singlemode/2-fiber/SC	1310nm	21dB	20km
C	Multimode/WDM 1-fiber/SC	TX:1310nm/RX:1550nm	21dB	2km
D	Multimode/WDM 1-fiber/SC	TX:1550nm/RX:1310nm	21dB	2km
E	Singlemode/WDM 1-fiber/SC	TX:1310nm/RX:1550nm	19dB	20km
F	Singlemode/WDM 1-fiber/SC	TX:1550nm/RX:1310nm	19dB	20km
G	Multimode/2-fiber/ST	1310nm	14dB	2km
H	Singlemode/2-fiber/ST	1310nm	21dB	20km
I	Multimode/WDM 1-fiber/ST	TX:1310nm/RX:1550nm	21dB	2km
J	Multimode/WDM 1-fiber/ST	TX:1550nm/RX:1310nm	21dB	2km
K	Singlemode/WDM 1-fiber/ST	TX:1310nm/RX:1550nm	19dB	20km
L	Singlemode/WDM 1-fiber/ST	TX:1550nm/RX:1310nm	19dB	20km

(YY) =	Installation
--------	--------------

SA Standalone Wall-Mount

CM Card Module

Power Options

- ET-PA/12V 1.25A 12VDC Power Adaptor. DC Jack.
- Power Adaptor is included for all sales.
- For CM Model, power from ET-C12 Chassis.

NOTES: (1) Transmission distance will suffer if additional losses are introduced by the optical connectors, fusions, splices and the fibers within the network.
 (2) Operating distance of multimode is limited by the characteristics of the fiber bandwidth.
 (3) Please feel free to consult factory for any special requirement and customization

Specifications

Ethernet

Standards:	IEEE802.3 10Base-T IEEE802.3u 100Base-TX/FX IEEE802.3x
Processing Type:	Store and forward Half-duplex, Full-duplex
Forward Filter Rate:	14,880pps (10Mbps) 148,800pps (100Mbps)
Cabling:	10Base-T: Cat5 or above 100Base-TX: Cat5 or above
Maximum Distance:	Cat5 UTP up to 100m
Connector:	2xRJ45
Address Table Size:	2048 MAC Addresses

Optical

Cabling:	62.5/125µm (Multimode) 9/125µm (Singlemode)
Maximum Distance:	2km (Multimode) 20km (Singlemode)
Wavelength:	1310 nm 1310/1550nm
Connector:	SC/ST

Environmental

Operating Temperature:	-20°C to 60°C (-4°F to 140°F)
Storage Temperature:	-40°C to 85°C (-40°F to 185°F)
Relative Humidity:	0% to 95% non-condensing

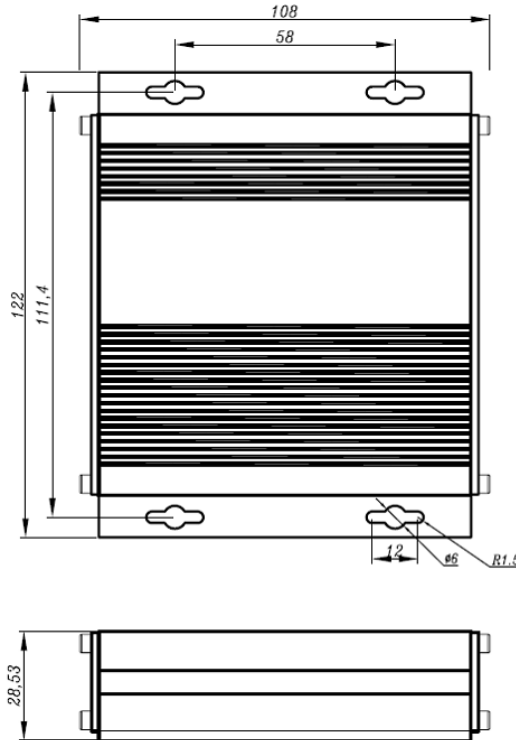
Electrical and Mechanical

Input Power:	12VDC (DC Jack)
Power Consumption:	2.4W Max. 0.21A@12VDC
LED Indicators:	
Power:	PowerStatus
10/100TX (Per Port):	Link/Activity, Speed
100FX (Per Port):	Link/Activity
Dimensions (WxDxH):	
Standalone	122x30x103 mm
Card Module	130x31x111 mm
Weight:	
Standalone	0.33Kg (0.43Kg with PA)
Card Module	0.33Kg
Casing:	Aluminum case
Mounting Options:	Wall-mount/ET-C12 Rack Mount

Regulatory Approvals

ISO9001
FCC Class A
EN55022:2006 Class A
EN 55024:1998 + A1:2001 + A2:2003

Unit: mm



OT Systems Ltd., May 2014

Due to continuous improvement, all product specifications are subject to change without further notice.

