



VM-17PD

Article number: 212465

17" (43cm) LCD/TFT Monitor, 1280x1024, 1x Composite, HDMI, RGB, Audio, 12V

Mainfeatures

Professional LCD/TFT monitor

PAL/NTSC auto selection

3D-comb filter, Anti Burn-in technology

1xCVBS,HDMI,RGB and audio input

Integrated loudspeakers

Robust and compact plastic cabinet

Built to run 24/7/365 continuously

Multi-lingual on-screen menu driven setup

Resolution of 1280x1024 px. (SXGA)

Quick signal switching (0,8sec.)

Supply voltage: 12VDC

Table stand included

Specifications

Resolution pixels	1280x1024
Video standard	PAL/NTSC
Comb filter	3D comb filter with de-interlace
Comb filter	yes
Resolution	1280x1024 (5:4)
Aspect ratio	5:4
Contrast ratio typical	2,000,000:1 (DCR)
Response time typical	5 ms
Brightness typical	250 cd/m ²
Backlighting	LED
Viewing angle vertical	160 °
Viewing angle horizontal	170 °

VM-17PD

Specifications continued

Screen size	17"
Screen Size (cm)	43 cm
Menu languages	English, German, Russian, French, Spanish, Dutch, Chinese
Video inputs (type)	CVBS, VGA, HDMI
Video outputs	FBAS
Audio inputs	Stereo (RCA)
Audio inputs	1
Dimensions (HxWxD)	378x372x183mm
Mount	VESA standard 100x100mm
Colour (housing)	black
Housing material	plastic
Weight	2,6kg
Loudspeaker	2
Power consumption	25W
Supply voltage	12VDC
Temperature range (operation)	+5°C ~ +35°C
Certificates	CE
Parts supplied	manual, VGA cable, power cord, PSU 100~240VAC

Special features

Anti-Burn-in Technology

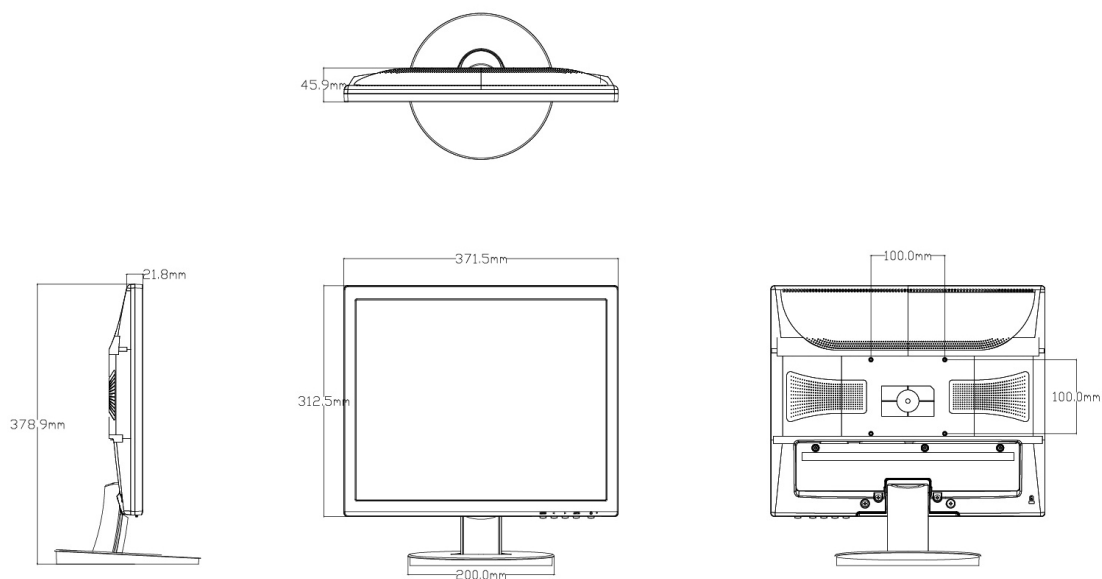
VM-17PD

Available Accessories

Bild	Art. Nr. / Bezeichnung	Beschreibung		
	208865 / VMC-LCD/WMB-2	Wall Bracket for TFT/LCD Monitors, straight, VESA		
	208870 / VMC-LCD/CMB-3	Ceiling Mount Bracket for TFT/LCD Monitors, 15" up to 37", VESA		
" data-bbox="110 315 200 335"/>	90394 / VMC-LCD/WCMB-1	Wall/Ceiling Bracket for LCD Monitors 15"/>" data-bbox="110 368 195 412"/>	90468 / VMC-LCD/WMB-4	Wall Bracket for LCD Monitors up to 23", Pan and Tilttable

VM-17PD

Technical Drawing



Your Contact Person



eneo is a registered trademark of
VIDEOR E. Hartig GmbH
Carl-Zeiss-Straße 8
63322 Rödermark
Deutschland
Tel.: +49 6074-888-333
E-Mail: info@eneo-security.com
Web: www.eneo-security.com