



TVC-2080Z03

Article number: 212116

1/2,8" HD-TVI Camera, Indoor Day&Night, 1920x1080, WDR 3x AF Zoom, 12/24V

Mainfeatures

-
- 1/2.8" 2.0 MP progressive scan CMOS sensor
-
- HD-TVI video transmission via coax
-
- 3~9mm day&night lens, Removeable IR cut filter
-
- Integral motion detection
-

-
- Resolution max. 1920x1080 (Full HD)
-
- Optical 3x auto focus zoom, 32x digital
-
- WDR,2D-/3D-DNR noise reduction,Defog function
-
- External input for day/night switching
-

Specifications

Sensor size	1/2.8"
Imager	CMOS
Imager	Sony Exmor
System	True Day&Night
Sensitivity	0,07 Lux
Sensitivity	(colour), 0.005Lux (B&W) at F1,2, 30IRE DSS 2x
Low speed shutter	yes
Low speed shutter	2x ~ 32x
Manual electronic shutter (MES)	1/25~1/60000sec.
Wide Dynamic Range (WDR)	WDR, D-WDR
Wide Dynamic Range (WDR)	113dB
Flickerless function	ON/OFF switchable
Backlight compensation	BLC, HLC
IR cut filter	switchable
Automatic electronic shutter (ESC)	1/25~1/60000sec.
Automatic gain control (AGC)	OFF / Low / High selectable

TVC-2080Z03

Specifications continued

White balance	ATW, ATW extended, one push, manual
Signal-to-noise ratio	50dB
Video standard	PAL
Signal format	HD-TVI
Frame rate	1080 @ 25/30p, 720 @ 25/30p
Synchronization	internal
Lens type	auto focus zoom
Focal length	3 - 9 mm
Digital zoom	2x ~ 32x
Aperture range (F)	F1.2
Resolution	1920x1080 (16:9), 1280x720 (16:9)
Horizontal angle of view	88 - 35 °
Motion detector	yes
e-PTZ support	no
OSD function control	OSD camera setup
Menu languages	English, German, French, Spanish, Italian, Polish, Turkish, Japanese
Privacy zones masking	ON/OFF switchable
Mirror function	V flip, H-flip, H/V flip
Digital Noise Reduction (DNR)	2D-DNR, 3D-DNR
Digital Noise Reduction (DNR)	yes
Video outputs	HD-TVI
External connections	HD-Signal BNC output, RS-485, external day&night switching
Alarm inputs	no
Alarm outputs	no
Serial interfaces	RS-485
Serial interfaces protocols	Pelco D, Pelco P, Pelco C (UTC)
Series	eneo HD-TVI
Dimensions (HxWxD)	72x74x89mm
Illumination	no
Colour (housing)	Pantone Cool Gray 1C
Housing	indoor
Housing material	metal (aluminium)
Weight	340g
Power consumption	4.0W
Blower	no
Protection rating	-
Supply voltage	(+/-20%)
Supply voltage	12VDC(11VDC-30VDC), 24VAC
Temperature range (operation)	-10°C ~ +50°C
Text display	camera title
Vandalism resistant	no
Certificates	CE
Parts supplied	manual, allen key, drilling template, screw set, Video sub-out cable

TVC-2080Z03

Specifications continued

Special features

Preset Zoom (4 adjustable positions)

Home Position

IR illumination ON / OFF switchable(OSD Menu)

Smart Motion Zoom--Zoom on defined ROI on motion

Pointing Zoom -- enables the flexible zooming at any area

HD-TVI Video Transmission Distance over Coax up to 500 m (5C2V)

More product information

The data for distance are guidelines that are achieved under optimal conditions. The distance may effected by cable quality and environmental conditions.

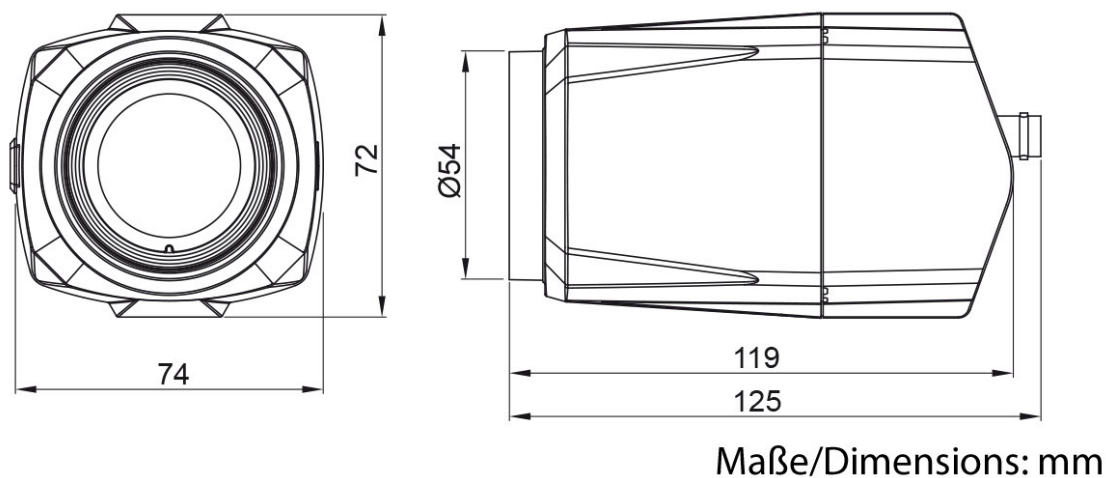
TVC-2080Z03

Available Accessories

Bild	Art. Nr. / Bezeichnung	Beschreibung
	203658 / VT-PS12DC-11	Plug-in Power Supply Unit, 100-240VAC/12VDC (1.0A), Regulated, with DC Plug
	70688 / WD-18	Wall Mount with Ball Joint, 1/4" Camera Fixing Screw, beige Grey
	70769 / WD-22	Wall Mount Bracket with Ball Joint, 1/4" Camera Fixing Screw, Beige Grey
	70835 / WD-12-WA	Wall Mount with Ball Joint, 1/4" Camera Fixing Screw, 140mm, RAL9006
	212984 / TVA-1201TRA	HD-TVI Transmitter/Receiver, UTP, BNC, 250m, Indoor, Active, 12V
	212985 / TVA-1201TRP	HD-TVI Transmitter/Receiver, 150m, BNC, UTP, Indoor, Passive
	212986 / TVA-1341EC	HD-TVI Converter to HDMI, VGA, FBAS, Indoor
	212987 / TVA-1101EA	HD-TVI Signal Amplifier, 12VDC, Indoor

TVC-2080Z03

Technical Drawing



Your Contact Person



eneo is a registered trademark of
VIDEOR E. Hartig GmbH
Carl-Zeiss-Straße 8
63322 Rödermark
Deutschland
Tel.: +49 6074-888-333
E-Mail: info@eneo-security.com
Web: www.eneo-security.com