



HDB-980MIR B

Article number: 211468

1/3" HD-SDI Camera, WDR, Day&Night, 1920x1080, 3.6mm, Infrared, 12V

Mainfeatures

1/3" 2.0 MP progressive scan CMOS sensor

Support HD-SDI and EX-SDI format

Removable infrared cut filter

WDR, 2D-/3D-DNR Noise Reduction, Defog function

1.5G HD-SDI video transmission via coax

Resolution max. 1920x1080 (Full HD)

3.6mm Mega Pixel lens

IR illumination

Integral motion detection

Easy indoor and outdoor installation

Specifications

Sensor size	1/3"
Imager	CMOS
Imager	Panasonic Progressive Scan
System	True Day&Night
Sensitivity	0,5 Lux
Sensitivity	(Colour) 0,1Lux (BW)
Low speed shutter	yes
Low speed shutter	2x ~ 4x
Manual electronic shutter (MES)	1/25~1/30000sec
Wide Dynamic Range (WDR)	WDR
Wide Dynamic Range (WDR)	93dB
Flickerless function	yes
Backlight compensation	BLC, HLC
IR cut filter	switchable


HDB-980MIR B

Specifications continued

Automatic electronic shutter (ESC)	1/25~1/30000sec.
White balance	automatic, manual, indoor, outdoor, one push
Signal-to-noise ratio	50dB
Signal format	HD-SDI (1.485 Gbps), EX-SDI (270 Mbps)
Frame rate	1080 @ 25/30p, 720 @ 50/60p, 720 @ 25/30p
Synchronization	internal
Lens type	fixed focal length
Focal length	3,6 mm
Aperture range (F)	F2.0
Resolution	1920x1080 (16:9), 1280x720 (16:9)
Horizontal angle of view	86 °
Motion detector	yes
OSD function control	OSD camera setup
Menu languages	English, Chinese, Japanese
Privacy zones masking	24 zones masking
Mirror function	V flip, H-flip, H/V flip
Digital Noise Reduction (DNR)	2D-DNR, 3D-DNR
Digital Noise Reduction (DNR)	yes
Video outputs	HD-SDI / EX-SDI selectable
External connections	12VDC power input, HD-Signal BNC output
Alarm inputs	no
Alarm outputs	no
Serial interfaces	no
Dimensions (HxWxD)	see drawing
Illumination	infrared
Illumination	24x IR LED
Colour (housing)	white
Housing	outdoor
Housing material	metal (aluminium)
Weight	430g
Integrated wall mount	yes
Power consumption	5W
Mounting	wall mount, ceiling mount
Window heater	no
Protection rating	IP66
Hidden cable management	yes
Sunshield	no
Supply voltage	12VDC
Temperature range (operation)	-10°C ~ +50°C
Text display	supplied
Vandalism resistant	no
Certificates	CE
Parts supplied	manual, screw set

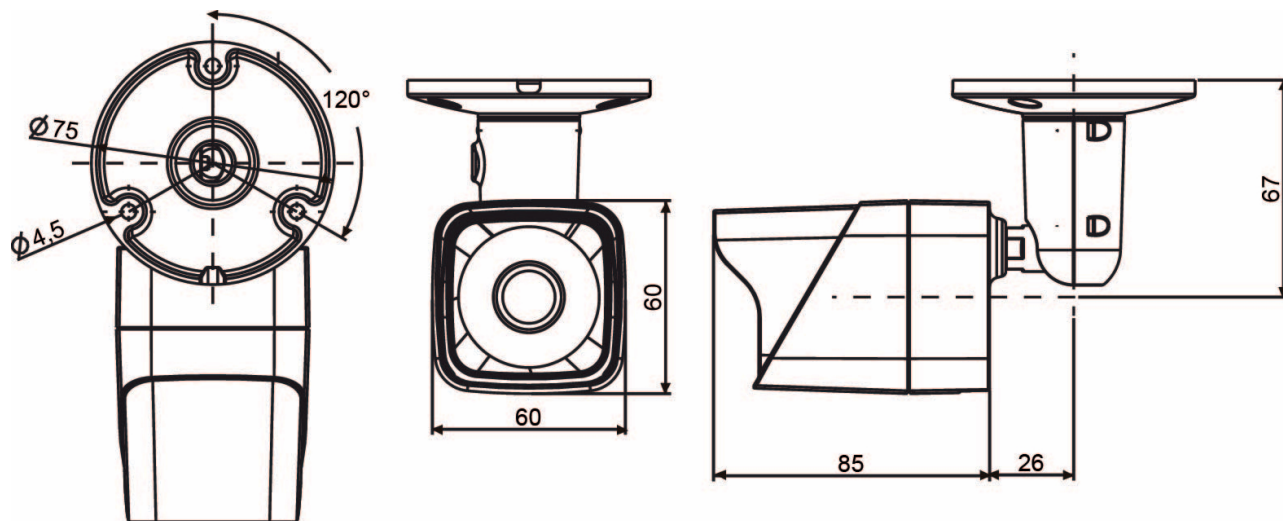
HDB-980MIR B

Available Accessories

Bild	Art. Nr. / Bezeichnung	Beschreibung
	203658 / VT-PS12DC-11	Plug-in Power Supply Unit, 100-240VAC/12VDC (1.0A), Regulated, with DC Plug

HDB-980MIR B

Technical Drawing



Dimensions: mm

Your Contact Person



eneo is a registered trademark of
VIDEOR E. Hartig GmbH
Carl-Zeiss-Straße 8
63322 Rödermark
Deutschland
Tel.: +49 6074-888-333
E-Mail: info@eneo-security.com
Web: www.eneo-security.com