



HDB-1080Z03IR D

Article number: 211458

1/3" HD-SDI Camera, WDR, Day&Night, 1920x1080, 3-9mm, 3x AF Zoom, infrared, 12/24V

Mainfeatures

1/3" 2.0 MP Progressive Scan CMOS sensor

1.5G HD-SDI video transmission via coaxial cable

Optical 3x auto focus zoom, 32x digital

Real time WDR (Wide Dynamic Range) 25/30fps

Integrated motion detection

IR illumination switchable via OSD menu

Resolution max. 1920x1080 (Full HD)

EX-SDI (270Mbps) Advanced HD signal range

3~9mm day&night lens, Removable IR-cut filter

3D-DNR Noise Reduction, Defog function

IP67, Built in fan, Heater

Easy installation, central locking screw

Specifications

Sensor size	1/3"
Imager	CMOS
Imager	Panasonic Progressive Scan
System	True Day&Night
Sensitivity	0,35 Lux
Sensitivity	(colour), 0.002Lux (B&W), 40IRE
Low speed shutter	yes
Low speed shutter	2x ~ 32x
Manual electronic shutter (MES)	1/25~1/60000sec.
Wide Dynamic Range (WDR)	WDR, D-WDR
Wide Dynamic Range (WDR)	113dB, Real Time WDR 25/30fps
Flickerless function	yes

HDB-1080Z03IR D

Specifications continued

Backlight compensation	BLC, HLC
IR cut filter	switchable
Automatic electronic shutter (ESC)	1/25~1/60000sec.
White balance	ATW, ATW extended, one push, manual
Signal-to-noise ratio	-50 db
Signal format	HD-SDI (1.485 Gbps), EX-SDI (270 Mbps)
Frame rate	1080 @ 25/30p, 720 @ 25/30p
Lens type	auto focus zoom
Focal length	3 - 9 mm
Digital zoom	yes
Aperture range (F)	F1.2~F2.1
Iris control	DC
Filter screw size	not available
Resolution	1920x1080 (16:9), 1280x720 (16:9)
Horizontal angle of view	90 - 32 °
Active picture elements	1944(H) x 1092(V)
Motion detector	yes
e-PTZ support	no
OSD function control	AGC, motion detection, DNR, shutter control, day&night, privacy zones, white balance
Menu languages	English, Japanese, German, French, Italian, Spanish, Polish, Turkish
Privacy zones masking	ON/OFF switchable
Mirror function	V flip, H-flip, H/V flip
Digital Noise Reduction (DNR)	2D-DNR, 3D-DNR
Digital Noise Reduction (DNR)	yes
Video outputs	HD-SDI (BNC), HD-SDI / EX-SDI selectable
External connections	RS-485, voltage input, HD-Signal BNC output
Alarm inputs	no
Alarm outputs	no
Serial interfaces	RS-485
Serial interfaces protocols	Pelco D, Pelco P
Series	eneo Candid Small
Dimensions (HxWxD)	75,3x69x218,5mm
Illumination	infrared
Illumination	28x LED 850nm, 60°
Illumination range	approx. 25m
Colour (housing)	Pantone Cool Gray 1C
Housing	outdoor
Housing material	metal (aluminium)
Weight	0,94kg
Integrated wall mount	yes
Power consumption	6.0W
Mounting	wall mount, ceiling mount
Window heater	yes

HDB-1080Z03IR D

Specifications continued

Protection rating	IP67
Hidden cable management	yes
Supply voltage	(+/-15%) 50Hz
Supply voltage	12VDC(11VDC-30VDC), 24VAC
Temperature range (operation)	-30°C ~ +50°C
Temperature range (heater deactivated)	-20°C ~ +50°C
Text display	camera title
Vandalism resistant	no
Certificates	CE
Parts supplied	manual, screw set, Video sub-out cable, mounting plate, allen key
Remarks	Operating temperature range of the camera changes when IR illumination is switched OFF

Special features

SRIC (Signal Related IR Control)

IR illumination ON / OFF switchable(OSD Menu)

Smart Motion Zoom--Zoom on defined ROI on motion

Pointing Zoom -- enables the flexible zooming at any area

Preset Zoom (4 adjustable positions)

COLOR D / N Fixed color mode, optimized for applications with white light illumination

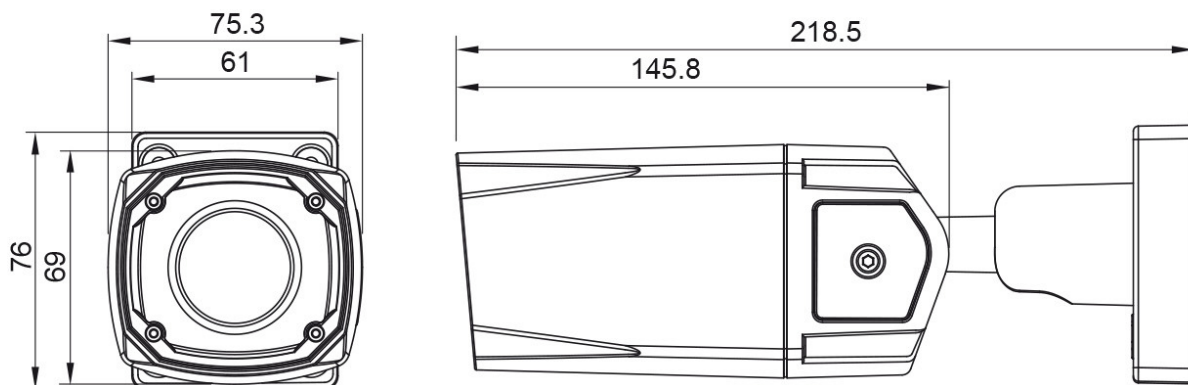
HDB-1080Z03IR D

Available Accessories

Bild	Art. Nr. / Bezeichnung	Beschreibung
	200817 / HDA-1004D	Distributor HD-SDI, 1 x HD-SDI Input, 4 x HD-SDI Outputs
	202641 / PM-42A	Pole mount adaptor for eneo Candid, Candid S, Candid M, Candid L, W3, WB1, AK-5, AK-4
	202888 / AK-4	Camera junction box, for Candid Small ,Candid Medium, Candid Large Series
	203658 / VT-PS12DC-11	Plug-in Power Supply Unit, 100-240VAC/12VDC (1.0A), Regulated, with DC Plug
	70527 / NE-132/AC24V	Power Supply Unit 230VAC/24VAC (1.0A)
	210224 / HDA-2002EC	Extender/Converter 1 x HD-SDI Input, 1 x HDMI Output
	211257 / HDA-3000E	HD Extender, HD-SDI, EX-SDI, 12V

HDB-1080Z03IR D

Technical Drawing



Maße/Dimensions: mm

Your Contact Person



eneo is a registered trademark of
VIDEOR E. Hartig GmbH
Carl-Zeiss-Straße 8
63322 Rödermark
Deutschland
Tel.: +49 6074-888-333
E-Mail: info@eneo-security.com
Web: www.eneo-security.com