



PXD-1080MIR D

Article number: 211428

1/3" Network Dome, Fixed, Day&Night, H.264, 1920x1080, Infrared, PoE, ONVIF, Indoor

Mainfeatures

1/3" 2.0 megapixels Progressive Scan CMOS

Simultaneous video data stream (H.264/MJPEG)

Wedge adapter included (10 ° Improvement)

Easy installation

3D-DNR noise reduction, defog function

IR illumination switchable via OSD menu

Resolution max. 1920x1080 (HD 1080p)

Variofocal lens, 2.8~10mm day&night lens

Double Side Hard Coated Bubble scratch resistant

Real time WDR (Wide Dynamic Range) 25/30fps

Integral motion detection, 3-Axis Gimbal

ONVIF conformity, PoE IEEE 802.3af, 12V

Specifications

Sensor size	1/3"
Resolution standard	HD 1080p
Imager	CMOS
Imager	Panasonic Progressive Scan
System	True Day&Night
Sensitivity	0,07 Lux
Sensitivity	(colour), 0,001Lux(B&W), 40IRE
Low speed shutter	yes
Low speed shutter	automatic
Manual electronic shutter (MES)	1/25~1/60000sec.
Wide Dynamic Range (WDR)	D-WDR, WDR
Wide Dynamic Range (WDR)	113dB

PXD-1080MIR D

Specifications continued

Backlight compensation	BLC, HLC
IR cut filter	switchable
Automatic electronic shutter (ESC)	1/25~1/60000sec.
White balance	ATW, one push, manual, ATW extended
Stream types	1x H.264, 1x MJPEG simultan
Image transmission rate max.	30 fps
Multicast compliant	yes
Compression standard	H.264, M-JPEG
Lens type	varifocal
Focal length	2,8 - 10 mm
Resolution	1920x1080 (16:9), 1280x720 (16:9), 704x480 (4:3), 640x352 (4:3), 320x176 (16:9), 160x96 (16:9)
Resolution max.	1920x1080
Horizontal angle of view	89 - 30 °
Motion detector	yes
Analysis functions	activity detection
Audio support	no
Password protection	yes
e-PTZ support	no
Internal storage	microSD card, 32GB
Menu languages	English, German, French
Privacy zones masking	ON/OFF switchable
Remote configuration	web browser
Web browser	MS Internet Explorer vers. 7.0 or higher
Mirror function	V flip, H-flip, H/V flip
Digital Noise Reduction (DNR)	2D-DNR, 3D-DNR
Digital Noise Reduction (DNR)	yes
Network protocols	HTTP, TCP, UDP, ARP, IPv4, ICMP, RTP, RTSP, PPPoE, SMTP, DHCP, NTP, UPnP, Telnet, FTP, IGMP, IPv6, SNMP, Zeroconf
Video outputs	composite control out
External connections	12VDC input (DC plug), RJ-45, SD card slot
Ethernet interface	10Base-T, 100Base-TX
Alarm inputs	no
Alarm outputs	no
Series	eneo Callisto Indoor
Dimensions (HxWxD)	100x116mm
Illumination	infrared
Illumination	2x High Power LEDs 850nm
Illumination range	approx. 25m
Colour (housing)	Pantone Cool Gray 1C
Colour (bubble)	clear
Housing	indoor
Housing material	plastic
Weight	450g
Heater	yes

PXD-1080MIR D

Specifications continued

Power consumption	9W
Blower	yes
Mounting	wall mount, ceiling mount
ONVIF	yes, Profile S
Power over Ethernet	IEEE 802.3af
Supply voltage	12VDC, PoE
Temperature range (operation)	-10°C ~ +50°C
Vandalism resistant	no
Vertical tilt range	65° (25° ~ 90°, ceiling as reference)
Certificates	CE

Special features

Preset Zoom (4 adjustable positions)

Flex zoom, electronic PTZ control

IR illumination ON / OFF switchable(OSD Menu)

Smart Motion Zoom--Zoom on defined ROI on motion

Pointing Zoom -- enables the flexible zooming at any area

Hard Coated Bubble (Hardness grade - H) -- Anti Scratch Protection

COLOR D / N Fixed color mode, optimized for applications with white light illumination

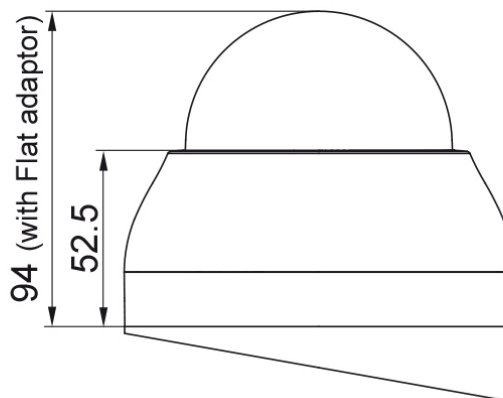
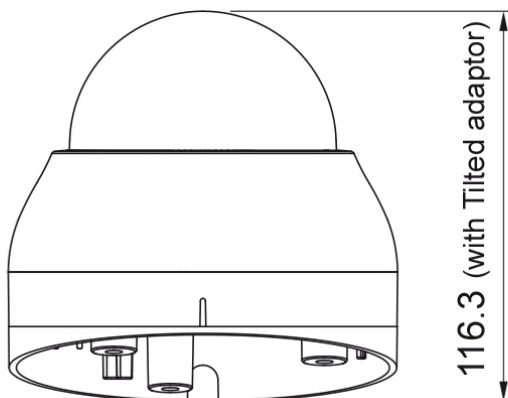
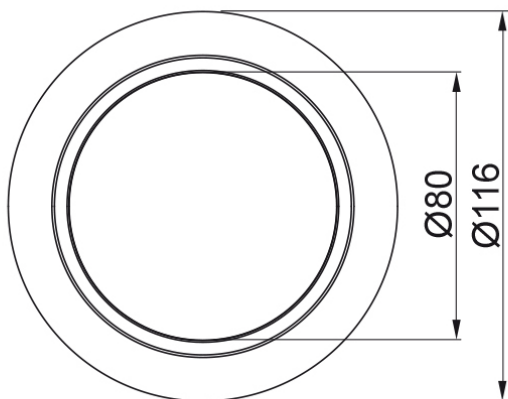
PXD-1080MIR D

Available Accessories

Bild	Art. Nr. / Bezeichnung	Beschreibung
	210144 / eneo Scan Device	Management program for eneo IP Cameras
	211974 / ENX-900P	PoE Extender, RJ45, Indoor, up to 100m, Gigabit Ethernet, Half/Full Duplex
	211976 / ECB-1	Media Converter, Indoor, 1x RJ45, 1x SFP
	211979 / ENI-900P	PoE Injector, Gigabit, Indoor, PoE+, RJ45
	211980 / EVX-900R	Media Converter, Indoor, Transmitter-Receiver, 1x RJ45, 1x RJ-11, 12V, up to 1000m
	211981 / EVX-900B	Media Converter, indoor, Transmitter-Receiver, 1x RJ45, 1x BNC, 12V, up to 1000m
	211982 / EPS-1008	PoE Switch, 8x PoE+, 1x RJ45, 1x SFP, 130W, Metal Housing
	211983 / EPS-1016	PoE Switch, 16x PoE+, 2x RJ45, 2x SFP, 250W, 19" Rack

PXD-1080MIR D

Technical Drawing



Maße/Dimensions: mm

Your Contact Person



eneo is a registered trademark of
VIDEOR E. Hartig GmbH
Carl-Zeiss-Straße 8
63322 Rödermark
Deutschland
Tel.: +49 6074-888-333
E-Mail: info@eneo-security.com
Web: www.eneo-security.com