



HDD-2080Z03IR D

Article number: 211419

1/3" HD-SDI Dome, WDR, Day&Night, 1920x1080, 3-9mm, 3x AF Zoom, Infrared, 12/24V

Mainfeatures

1/3" 2.0 MP progressive scan CMOS sensor

1.5G HD-SDI video transmission via coax

Optical 3x auto focus zoom, 32x digital

3~9mm day&night lens, Removeable IR cut filter

3D-DNR noise reduction, Defog function

For wall or ceiling, flush mount

Resolution max. 1920 x 1080 (Full HD)

EX-SDI (270Mbps) Advanced HD signal range

3-Axis Gimbal

Real time WDR (Wide Dynamic Range) 25/30fps

IP67, built in fan, heater

IR illumination switchable via OSD menu

Specifications

Sensor size	1/3"
Imager	CMOS
Imager	Panasonic Progressive Scan
System	True Day&Night
Sensitivity	0,35 Lux
Sensitivity	(colour), 0.002Lux (B&W), 40IRE
Low speed shutter	yes
Low speed shutter	2x ~ 32x
Manual electronic shutter (MES)	1/25~1/60000sec.
Wide Dynamic Range (WDR)	WDR, D-WDR
Wide Dynamic Range (WDR)	113dB, Real Time WDR 25/30fps
Flickerless function	yes

HDD-2080Z03IR D

Specifications continued

Backlight compensation	BLC, HLC
IR cut filter	switchable
Automatic electronic shutter (ESC)	1/25~1/60000sec.
White balance	ATW, ATW extended, one push, manual
Signal-to-noise ratio	-50 db
Signal format	HD-SDI (1.485 Gbps), EX-SDI (270 Mbps)
Frame rate	1080 @ 25/30p, 720 @ 25/30p
Lens type	auto focus zoom
Focal length	3 - 9 mm
Digital zoom	2x ~ 32x
Aperture range (F)	F1.2~F2.1
Resolution	1920x1080 (16:9), 1280x720 (16:9)
Horizontal angle of view	90 - 32 °
Active picture elements	1944(H) x 1092(V)
Motion detector	yes
e-PTZ support	no
OSD function control	AGC, motion detection, DNR, shutter control, day&night, privacy zones, white balance
Menu languages	English, Japanese, Spanish, German, French, Italian, Polish, Turkish
Privacy zones masking	ON/OFF switchable
Mirror function	V flip, H-flip, H/V flip
Digital Noise Reduction (DNR)	2D-DNR, 3D-DNR
Digital Noise Reduction (DNR)	yes
Video outputs	HD-SDI / EX-SDI selectable, composite control out
External connections	Combi connector, HD-Signal BNC output
Alarm inputs	no
Alarm outputs	no
Serial interfaces	RS-485
Serial interfaces protocols	Pelco D, Pelco P
Series	eneo Callisto
Dimensions (HxWxD)	119x140
Illumination	infrared
Illumination	2x High Power LEDs 850nm, 50°
Illumination range	approx. 25m
Colour (housing)	Pantone Cool Gray 1C
Colour (bubble)	clear
Housing	outdoor
Housing material	metal (aluminium)
Weight	1.0kg
Heater	yes
Power consumption	6W
Blower	yes
Mounting	ceiling/wall flush mount, on wall and ceiling mounting only in conjunction with related accessories
Protection rating	IP67

HDD-2080Z03IR D

Specifications continued

Supply voltage	12VDC(11VDC-30VDC), 24VAC (18 ~ 28.8VAC)
Temperature range (operation)	-30°C ~ +50°C
Text display	camera title
Vandalism resistant	yes
Vertical tilt range	65 °(25 ~ 90°)
Certificates	CE, IK10
Parts supplied	manual, screw set, Video sub-out cable, allen key
Remarks	Operating temperature range of the camera changes when IR illumination is switched OFF

Special features

IR illumination ON / OFF switchable(OSD Menu)

Smart Motion Zoom--Zoom on defined ROI on motion

Pointing Zoom -- enables the flexible zooming at any area

Preset Zoom (4 adjustable positions)

Hard Coated Bubble (Hardness grade - H) -- Anti Scratch Protection

COLOR D / N Fixed color mode, optimized for applications with white light illumination

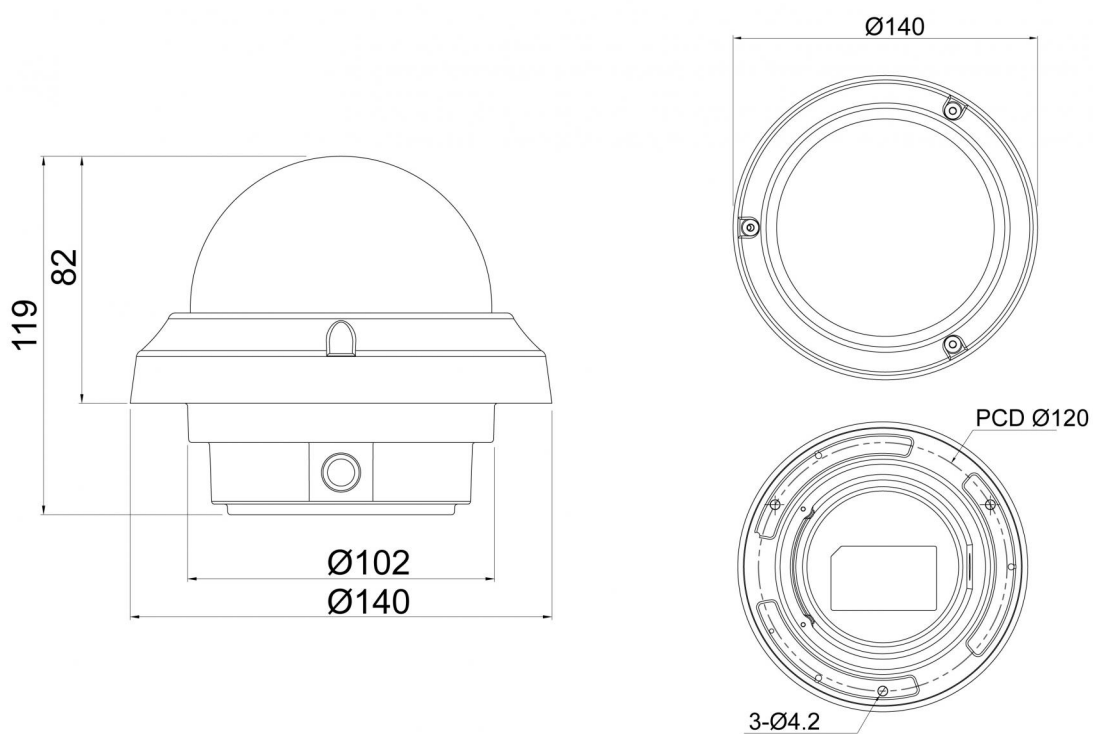
HDD-2080Z03IR D

Available Accessories

Bild	Art. Nr. / Bezeichnung	Beschreibung
	200817 / HDA-1004D	Distributor HD-SDI, 1 x HD-SDI Input, 4 x HD-SDI Outputs
	203658 / VT-PS12DC-11	Plug-in Power Supply Unit, 100-240VAC/12VDC (1.0A), Regulated, with DC Plug
	70527 / NE-132/AC24V	Power Supply Unit 230VAC/24VAC (1.0A)
	207192 / DOME/WEDGE2	Wedge Adapter, Callisto Dome Line
	209831 / DOME/BASIS1	Surface mount base, Callisto Dome line
	209832 / AK-5	Camera Junction Box, for Callisto Dome series, IP66
	209880 / DOME-WB1+DOME/ Basis1	Wall Bracket & Surface mount base, Callisto Dome line
	210224 / HDA-2002EC	Extender/Converter 1 x HD-SDI Input, 1 x HDMI Output
	211257 / HDA-3000E	HD Extender, HD-SDI, EX-SDI, 12V

HDD-2080Z03IR D

Technical Drawing



Dimensions: mm

Your Contact Person



eneo is a registered trademark of
VIDEOR E. Hartig GmbH
Carl-Zeiss-Straße 8
63322 Rödermark
Deutschland
Tel.: +49 6074-888-333
E-Mail: info@eneo-security.com
Web: www.eneo-security.com