



HDB-2080Z03IR D

Article number: 211417

1/3" HD-SDI Camera, WDR, Day&Night, 1920x1080, 3-9mm, 3x AF Zoom, Infrared, 12/24V

Mainfeatures

1/3" 2.0 MP Progressive Scan CMOS sensor

1.5G HD-SDI video transmission via coaxial cable

Optical 3x auto focus zoom, 32x digital

Real time WDR (Wide Dynamic Range) 25/30fps

Integrated motion detection

IR illumination switchable via OSD menu

Resolution max. 1920x1080 (Full HD)

EX-SDI (270Mbps) Advanced HD signal range

3~9mm day&night lens, removable IR-cut filter

2D-/3D-DNR Noise Reduction, Defog function

IP67, Built in fan, Heater

Easy installation

Specifications

Sensor size	1/3"
Imager	CMOS
Imager	Panasonic Progressive Scan
System	True Day&Night
Sensitivity	0,35 Lux
Sensitivity	(colour), 0.002Lux (B&W), 40IRE
Low speed shutter	yes
Low speed shutter	2x ~ 32x
Manual electronic shutter (MES)	1/25~1/60000sec.
Wide Dynamic Range (WDR)	WDR, D-WDR
Wide Dynamic Range (WDR)	113dB, Real Time WDR 25/30fps
Backlight compensation	BLC, HLC

HDB-2080Z03IR D

Specifications continued

IR cut filter	switchable
Automatic electronic shutter (ESC)	1/25~1/60000sec.
White balance	ATW, ATW extended, one push, manual
Signal-to-noise ratio	-50 db
Signal format	HD-SDI (1.485 Gbps), EX-SDI (270 Mbps)
Frame rate	1080 @ 25/30p, 720 @ 25/30p
Lens type	auto focus zoom
Focal length	3 - 9 mm
Digital zoom	2x ~ 32x
Aperture range (F)	F1.2~F2.1
Iris control	DC
Filter screw size	not available
Resolution	1920x1080 (16:9), 1280x720 (16:9)
Horizontal angle of view	90 - 32 °
Active picture elements	1944(H) x 1092(V)
Motion detector	yes
e-PTZ support	no
OSD function control	AGC, motion detection, DNR, shutter control, H/V flip (mirror picture), Rotation, day&night, privacy zones, white balance
Menu languages	English, Japanese, German, French, Italian, Spanish, Turkish, Polish
Privacy zones masking	ON/OFF switchable
Mirror function	V flip, H-flip, H/V flip
Digital Noise Reduction (DNR)	2D-DNR, 3D-DNR
Digital Noise Reduction (DNR)	yes
Video outputs	HD-SDI / EX-SDI selectable, composite control out
External connections	RS-485, voltage input, HD-Signal BNC output
Alarm inputs	no
Alarm outputs	no
Serial interfaces	RS-485
Serial interfaces protocols	Pelco D, Pelco P
Series	eneo Candid Medium
Dimensions (HxWxD)	100x107,8x277mm
Illumination	infrared
Illumination	4x High Power LEDs 855nm, 54°
Illumination range	approx. 50m
Colour (housing)	Pantone Cool Gray 1C
Housing	outdoor
Housing material	metal (aluminium)
Weight	1.35kg
Integrated wall mount	yes
Power consumption	8W
Mounting	wall mount, ceiling mount
Window heater	yes
Protection rating	IP67

HDB-2080Z03IR D

Specifications continued

Hidden cable management	yes
Sunshield	yes
Supply voltage	(+/-15%) 50Hz
Supply voltage	12VDC(11VDC-30VDC), 24VAC
Temperature range (operation)	-30°C ~ +50°C
Temperature range (heater deactivated)	-20°C ~ +50°C
Text display	camera title
Vandalism resistant	no
Certificates	CE
Parts supplied	manual, screw set, allen key, mounting plate, Video sub-out cable
Remarks	Operating temperature range of the camera changes when IR illumination is switched OFF

Special features

SRIC (Signal Related IR Control)

IR illumination ON / OFF switchable(OSD Menu)

Smart Motion Zoom--Zoom on defined ROI on motion

Pointing Zoom -- enables the flexible zooming at any area

Preset Zoom (4 adjustable positions)

COLOR D / N Fixed color mode, optimized for applications with white light illumination

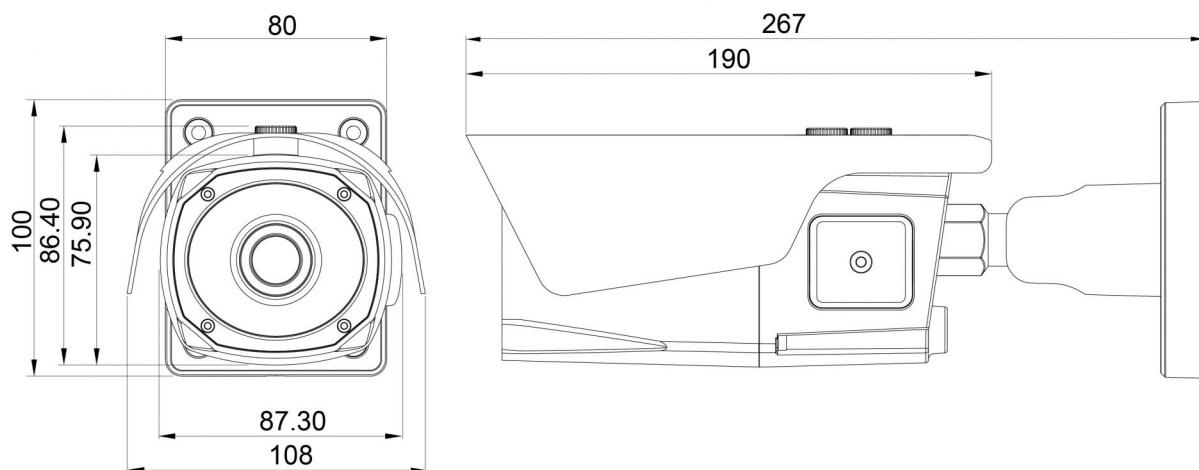
HDB-2080Z03IR D

Available Accessories

Bild	Art. Nr. / Bezeichnung	Beschreibung
	200817 / HDA-1004D	Distributor HD-SDI, 1 x HD-SDI Input, 4 x HD-SDI Outputs
	202641 / PM-42A	Pole mount adaptor for eneo Candid, Candid S, Candid M, Candid L, W3, WB1, AK-5, AK-4
	202888 / AK-4	Camera junction box, for Candid Small ,Candid Medium, Candid Large Series
	203658 / VT-PS12DC-11	Plug-in Power Supply Unit, 100-240VAC/12VDC (1.0A), Regulated, with DC Plug
	70527 / NE-132/AC24V	Power Supply Unit 230VAC/24VAC (1.0A)
	210224 / HDA-2002EC	Extender/Converter 1 x HD-SDI Input, 1 x HDMI Output
	211257 / HDA-3000E	HD Extender, HD-SDI, EX-SDI, 12V

HDB-2080Z03IR D

Technical Drawing



Dimensions: mm

Your Contact Person



eneo is a registered trademark of
VIDEOR E. Hartig GmbH
Carl-Zeiss-Straße 8
63322 Rödermark
Deutschland
Tel.: +49 6074-888-333
E-Mail: info@eneo-security.com
Web: www.eneo-security.com