



HDA-3000E

Article number: 211257

HD Extender, HD-SDI, EX-SDI, 12V

Mainfeatures

HD Extender, signal transmission via RG59 cable

EX-SDI signal format (270Mbps), HD-SDI (1.485Gbps)

Test Pattern Generator (HD-SDI/SDI signal EX) for cable testing

Up to 5 HDA-3000E in serial configuration

Specifications

| | |
|--------------------|-------------|
| Video inputs | 1x BNC |
| Video outputs | 1x BNC |
| Series | eneo HD-SDI |
| Dimensions (HxWxD) | 15x50x24mm |
| Colour | antracite |
| Weight | 100g |
| Power consumption | 0.75W |
| Supply voltage | 12VDC |

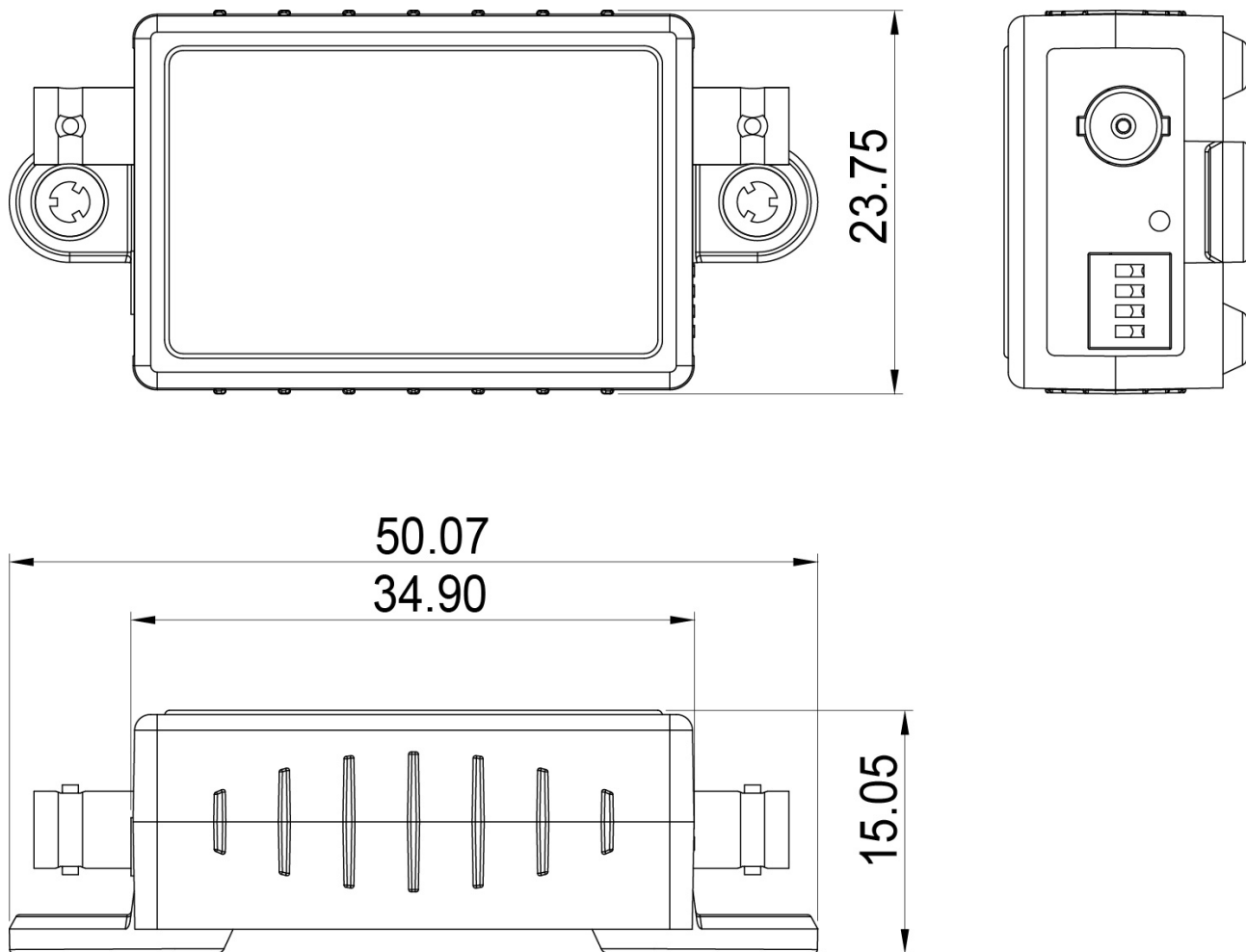
HDA-3000E

Available Accessories

| Bild | Art. Nr. / Bezeichnung | Beschreibung |
|---|-------------------------------|---|
|  | 203658 / VT-PS12DC-11 | Plug-in Power Supply Unit, 100-240VAC/12VDC (1.0A), Regulated, with DC Plug |

HDA-3000E

Technical Drawing



Dimensions: mm

Your Contact Person



eneo is a registered trademark of
VIDEOR E. Hartig GmbH
Carl-Zeiss-Straße 8
63322 Rödermark
Deutschland
Tel.: +49 6074-888-333
E-Mail: info@eneo-security.com
Web: www.eneo-security.com