



VKCD-135/HR B

Article number: 211146

1/3" Mini Dome, Fixed, Colour, 3.7mm, 700TVL, 12V, Flush mount

Mainfeatures

For wall and in-ceiling mounting

Built-in pinhole lens F2.0/3.7mm

Internal synchronization

Supply voltage: 12VDC

Resolution of 700 horizontal lines

Automatic shutter control (ESC)

Easy installation

Specifications

Sensor size	1/3"
Imager	CCD
Imager	Sony Super HAD
System	colour
Sensitivity	0,1 Lux
Sensitivity	at F2.0
Low speed shutter	no
Wide Dynamic Range (WDR)	no
Backlight compensation	no
IR cut filter	standard
Video standard	PAL
Synchronization	internal
Lens type	fixed focal length
Focal length	3,7 mm
Digital zoom	no
Horizontal angle of view	68 °

VKCD-135/HR B

Specifications continued

Horizontal resolution	700 TVL
Motion detector	no
e-PTZ support	no
Digital Noise Reduction (DNR)	no
Video outputs	composite (CVBS)
Video outputs	1Vp-p, CVBS, 75ohms
External connections	Video (BNC), 12VDC (Cinch)
Alarm inputs	no
Alarm outputs	no
Serial interfaces	no
Dimensions (HxWxD)	45x65mm
Illumination	no
Colour (housing)	anodized silver-coloured (C-0)
Colour (bubble)	-
Housing	indoor
Housing material	metal (aluminium)
Weight	120g
Heater	no
Power consumption	0.72W
Mounting	flush mount
Protection rating	n/a
Supply voltage	12VDC
Temperature range (operation)	-10°C ~ +50°C
Vandalism resistant	no
Certificates	CE
Parts supplied	manual, mounting accessories

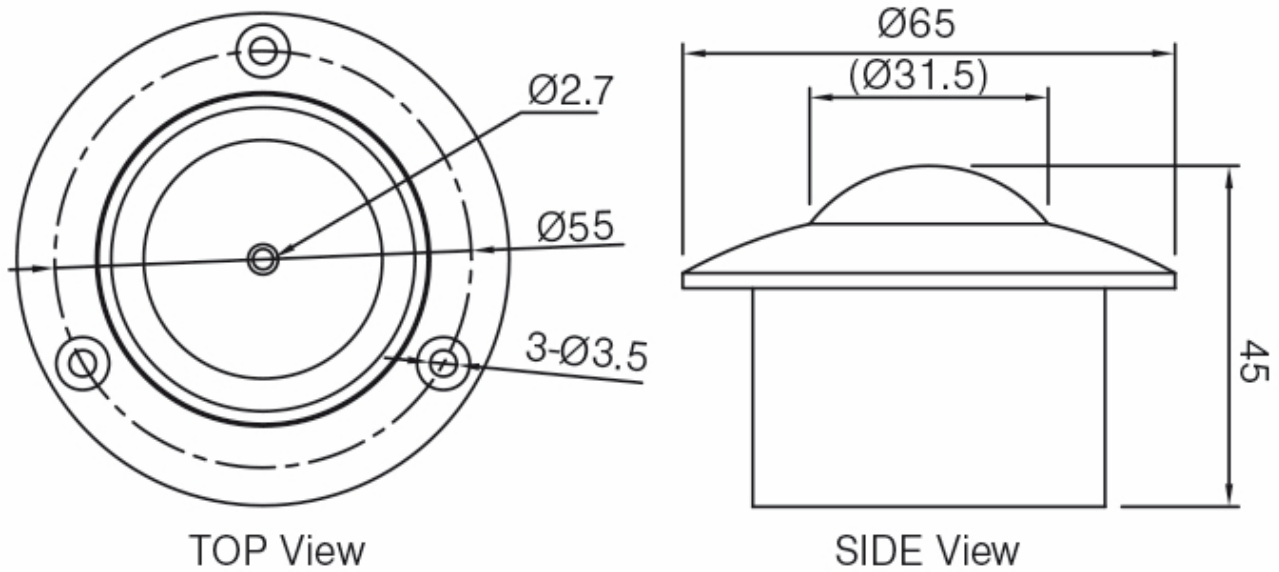
VKCD-135/HR B

Available Accessories

Bild	Art. Nr. / Bezeichnung	Beschreibung
	203658 / VT-PS12DC-11	Plug-in Power Supply Unit, 100-240VAC/12VDC (1.0A), Regulated, with DC Plug

VKCD-135/HR B

Technical Drawing



Maße/Dimensions: mm

Your Contact Person



eneo is a registered trademark of
VIDEOR E. Hartig GmbH
Carl-Zeiss-Straße 8
63322 Rödermark
Deutschland
Tel.: +49 6074-888-333
E-Mail: info@eneo-security.com
Web: www.eneo-security.com