



NXD-2012PTZ1080 B

Article number: 210925

1/2.8" Network Dome, PTZ, 12x, Day&Night, 4.8-57.6mm, 1920x1080, 24VAC, IP66

Mainfeatures

1/2.8" IP PTZ dome with Sony Exmor CMOS-Sensor

Full HD 1920x1080 pixels, 1080p@50/60fps

Digital noise reduction (DNR)

Wide Dynamic Range (D-WDR)

Privacy zones

Clear bubble

12x AF-lens, 4.8~57.6mm / Digital zoom

Compression H.264/MJPEG, Web Casting

VCA Video Analytic

DIS (Digital Image Stabilization)

Alarm in and outputs, microSD cardslot

ONVIF conformity

Specifications

Sensor size	1/2.8"
Resolution standard	HD 1080p
Imager	CMOS
Imager	Sony Exmor
System	True Day&Night
Sensitivity	0,5 Lux
Sensitivity	(Colour) 0,1Lux (BW)
Low speed shutter	yes
Low speed shutter	2x ~ 6x
Manual electronic shutter (MES)	1/5 ~ 1/10.000sec.
Wide Dynamic Range (WDR)	D-WDR
Backlight compensation	BLC

NXD-2012PTZ1080 B

Specifications continued

IR cut filter	switchable
Automatic electronic shutter (ESC)	1/5 ~ 1/10.000sec.
White balance	automatic, manual
Stream types	2x H.264, 1x MJPEG multiple
Image transmission rate max.	60 fps
Multicast compliant	yes
Compression standard	H.264, M-JPEG
Lens type	auto focus zoom
Focal length	4,8 - 57,6 mm
Digital zoom	1x ~ 16x
Resolution	1920x1080 (16:9), 1280x1024 (5:4), 1280x960 (4:3), 1280x720 (16:9), 1024x768 (4:3), 704x576 (4:3), 704x480 (4:3), 640x480 (4:3), 320x240 (4:3)
Resolution max.	1920x1080
Horizontal angle of view	64,2 - 5,9 °
Motion detector	yes
Analysis functions	motion detection, tampering protection, Line detection, Field Detector, Defog
Alarm processing	FTP, E-Mail, HTTP, Boost, SD-card recording
Presets	240 presets
Rotation range	360 °
Speed (manual control)	380 °/Sek.
Preset speed	380 °/Sek.
Audio	1/1 Line input and output
Audio support	yes
Password protection	yes
e-PTZ support	no
Internal storage	microSDHC card, 32GB
OSD function control	D-WDR, resolution, presets, day&night, password, motion detection
Menu languages	English, Korean, Chinese, Russian
Privacy zones masking	8 zones masking, ON/OFF switchable
Remote configuration	web browser, remote software
Web browser	MS Internet Explorer vers. 7.0 or higher, Google Chrome (Java), Mozilla Firefox (Java)
Mirror function	H/V flip
Digital Noise Reduction (DNR)	2D-DNR, 3D-DNR
Digital Noise Reduction (DNR)	yes
Network protocols	TCP/IP, UTP, HTTP, RTP, RTSP, NTP, DHCP, SMTP, DDNS, HTTPS, RTCP, FTP, IPv4, IPv6, Bonjour, Zeroconf, OpenVPN
External connections	12VDC power input, alarm input, alarm output, audio input/output
Ethernet interface	10Base-T, 100Base-TX
Alarm inputs	4
Alarm outputs	1
Series	eneo Minitrax

NXD-2012PTZ1080 B

Specifications continued

Dimensions (HxWxD)	150x154
Illumination	no
Colour (housing)	Pantone Cool Gray 1C
Colour (bubble)	clear
Housing	outdoor
Housing material	metal (aluminium)
Weight	1,5 kg
Heater	optional
Power consumption	12W
Blower	no
Mounting	wall mount, Wall mounting only in conjunction with related accessories, ceiling mount
ONVIF	ONVIF Test Tool Version 13.12 (Profile S)
Power over Ethernet	IEEE 802.3af
Window heater	no
Protection rating	IP66
Supply voltage	12VDC, 24VAC, PoE
Temperature range (operation)	-10°C ~ +45°C
Text display	supplied
Vandalism resistant	yes
Certificates	CE, IK10
Parts supplied	manual, drilling template, mounting accessories, installation CD

Special features

Video analytic function

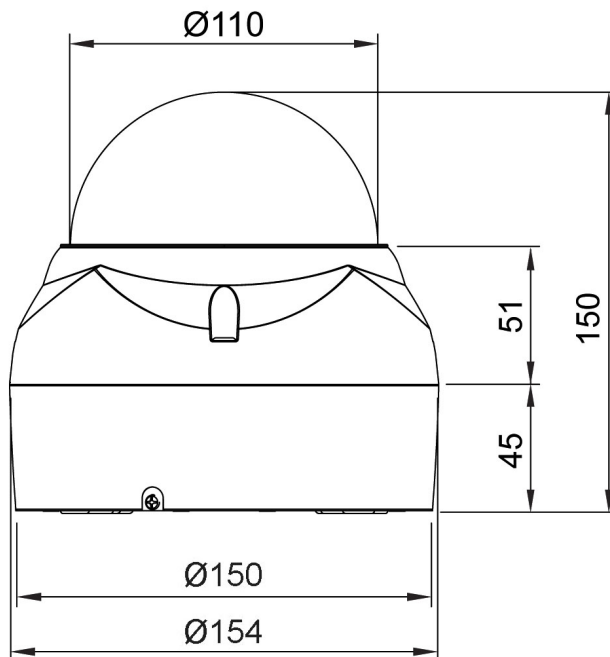
NXD-2012PTZ1080 B

Available Accessories

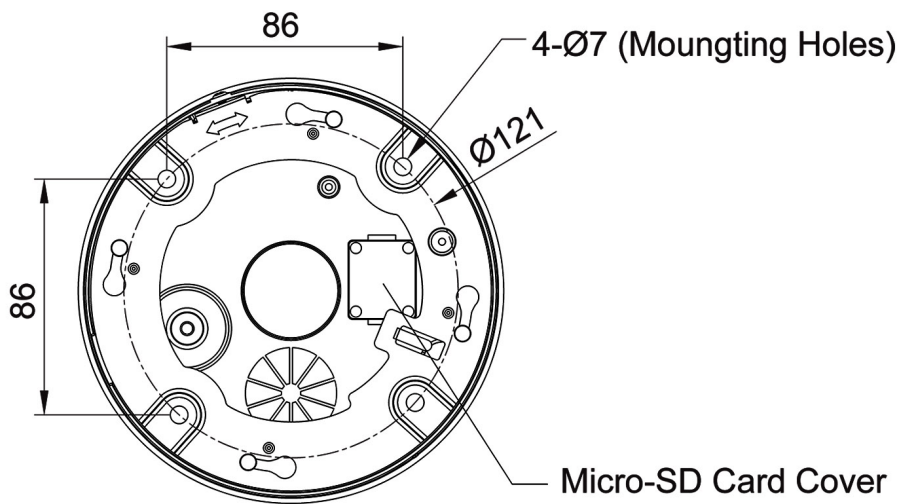
Bild	Art. Nr. / Bezeichnung	Beschreibung
	203696 / DOME-WB2	Wall Bracket, for eneo NLD, NXD-2012xx, EDMC-3221 Dome Series
	70543 / VT-PS12DC-10	Plugable AC/DC Adapter 100-240V/12VDC- 2.5A, stab., Cont. & UK Mains plug-ins
	74155 / EDMC/CWB-1	Wall or Pendant Mount Kit f. Dome Camera Series EDMC, NTD, NLD, NXD & VKCD-1375
	208238 / HAH-1000	Low Voltage Heater Kit 24V/10W for HDD-1012, NXD-2012, NLD-1422
	210144 / eneo Scan Device	Management program for eneo IP Cameras
	211976 / ECB-1	Media Converter, Indoor, 1x RJ45, 1x SFP
	211980 / EVX-900R	Media Converter, Indoor, Transmitter-Receiver, 1x RJ45, 1x RJ-11, 12V, up to 1000m
	211981 / EVX-900B	Media Converter, indoor, Transmitter-Receiver, 1x RJ45, 1x BNC, 12V, up to 1000m
	211982 / EPS-1008	PoE Switch, 8x PoE+, 1x RJ45, 1x SFP, 130W, Metal Housing
	211983 / EPS-1016	PoE Switch, 16x PoE+, 2x RJ45, 2x SFP, 250W, 19" Rack

NXD-2012PTZ1080 B

Technical Drawing



FRONT VIEW



BOTTOM VIEW

Dimensions: mm

Your Contact Person



eneo is a registered trademark of
VIDEOR E. Hartig GmbH
Carl-Zeiss-Straße 8
63322 Rödermark
Deutschland
Tel.: +49 6074-888-333
E-Mail: info@eneo-security.com
Web: www.eneo-security.com