

PEC-CMA1

Article number: 210750

Corner Mount EDC-WMB1, PLD-WMB1, PLD-WMB2

Mainfeatures

For corner mounting of

Rugged steel construction

Power coated varnished: RAL9001

EDC-WMB1, PLD-WMB1, PLD-WMB2

Surface pre-treatment for rust protection

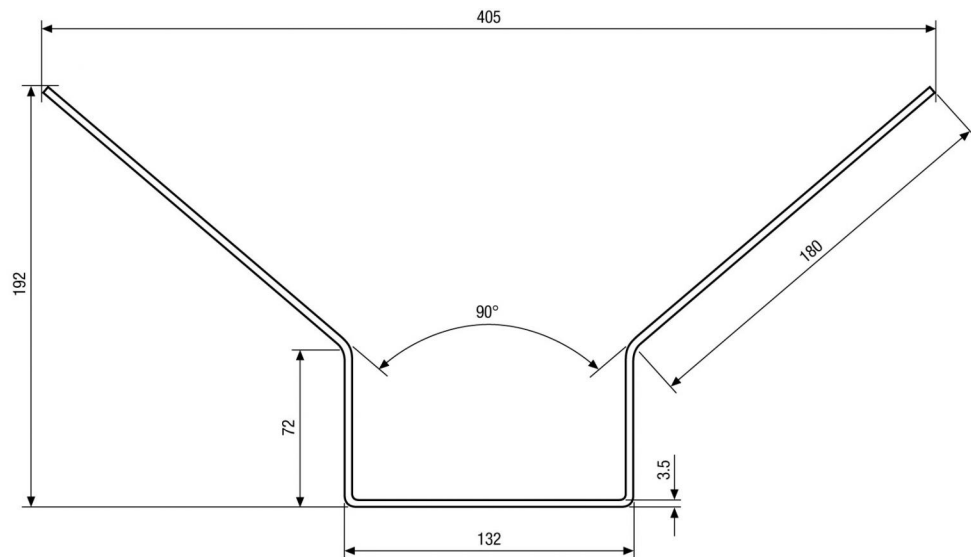
Ready for installation

Specifications

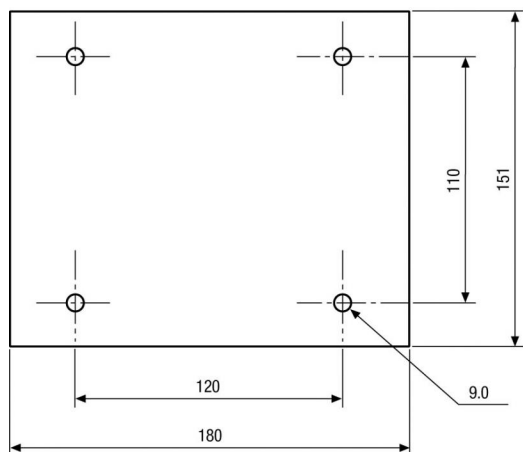
Dimensions (HxWxD)	151x405x192mm
Colour	RAL9001
Material	Aluminium

PEC-CMA1

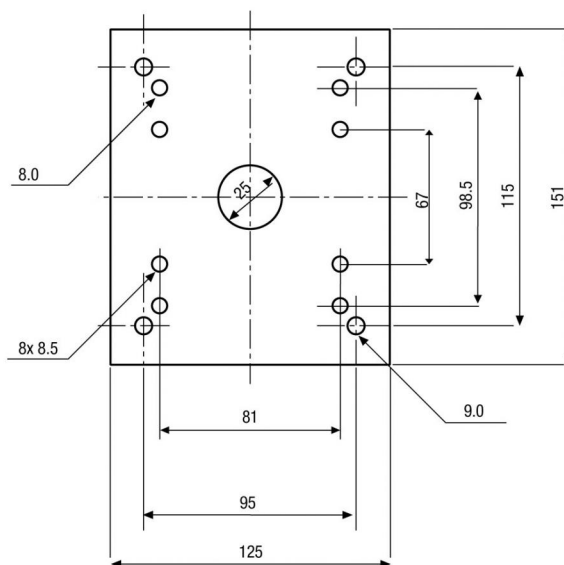
Technical Drawing



Schenkelansicht / side view



Frontansicht - Montageplatte / Front view - mounting plate



Maße/Dimensions: mm

Your Contact Person



eneo is a registered trademark of
VIDEOR E. Hartig GmbH
Carl-Zeiss-Straße 8
63322 Rödermark
Deutschland
Tel.: +49 6074-888-333
E-Mail: info@eneo-security.com
Web: www.eneo-security.com