



VKC-900IR36

Article number: 210426

1/3" Camera, Day&Night, 3,6mm, 900TVL, IK6 infrared, 12V, IP66, D-WDR

Mainfeatures

1/3" Sony CMOS(960H)

Horizontal video resolution 900 TVL

3D-DNR powerful digital noise reduction

Privacy masking/mirror/motion detection

Integral IR LED illumination (10 LEDs 850nm)

Supply voltage 12VDC

True day&night mode with IR cut filter (ICR)

3,6mm lens

Digitale wide dynamic range (D-WDR)

Easy installation

Focus and zoom adjustable from the outside

Bullet housing, wall or ceiling mount, hidden cable routing

Specifications

Sensor size	1/3"
Imager	CMOS
Imager	Sony 238
System	True Day&Night
Sensitivity	0,01 Lux
Low speed shutter	n/a
Wide Dynamic Range (WDR)	D-WDR
Backlight compensation	BLC
IR cut filter	switchable
Automatic electronic shutter (ESC)	1/50 ~ 1/40,000sec.
White balance	user defined
Signal-to-noise ratio	50dB


VKC-900IR36

Specifications continued

Video standard	PAL
Lens type	fixed focal length
Focal length	3,6 mm
Digital zoom	no
Aperture range (F)	F2.0
Iris control	DC
Horizontal angle of view	67,4 °
Active picture elements	1280(H) x 960(V)
Horizontal resolution	900 TVL
Motion detector	yes
Dynamic Light Intensity Control (DIC)	yes
e-PTZ support	no
OSD function control	OSD camera setup
Menu languages	English, Spanish, French, Polish, Italian
Privacy zones masking	ON/OFF switchable
Mirror function	V flip, H-flip, H/V flip
Digital Noise Reduction (DNR)	3D-DNR
Digital Noise Reduction (DNR)	yes
Video outputs	composite (CVBS)
Alarm inputs	no
Alarm outputs	no
Serial interfaces	no
Dimensions (HxWxD)	62x194mm
Illumination	infrared
Illumination	10x LED 850nm
Illumination range	approx. 10m
Colour (housing)	Pantone 7541 C
Housing	outdoor
Housing material	metal (aluminium)
Weight	360g
Integrated wall mount	yes
Power consumption	3W
Mounting	wall mount
Window heater	no
Protection rating	IP66
Hidden cable management	yes
Sunshield	yes
Supply voltage	12VDC
Temperature range (operation)	-10°C ~ +50°C
Vandalism resistant	yes
Certificates	CE, FCC
Parts supplied	manual, mounting accessories

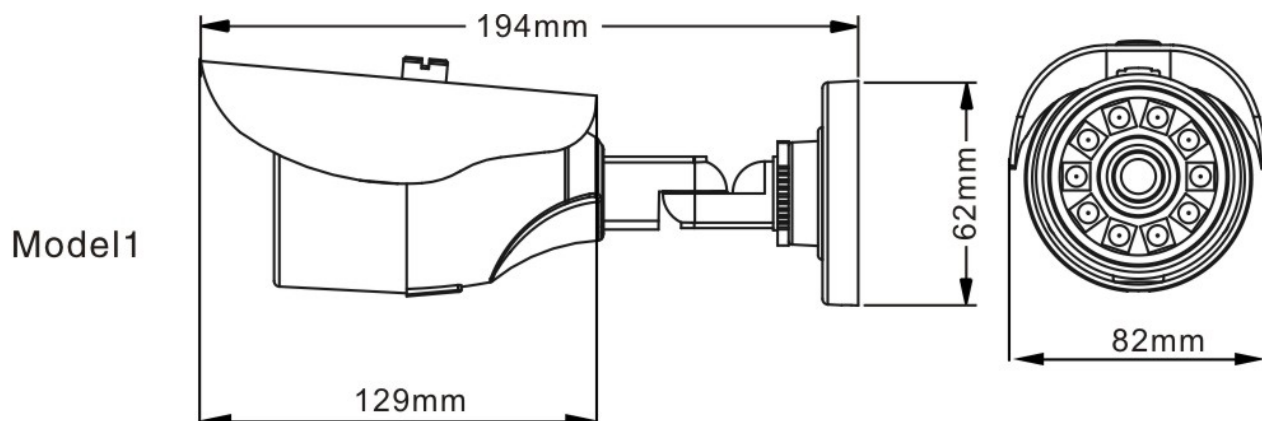
VKC-900IR36

Available Accessories

Bild	Art. Nr. / Bezeichnung	Beschreibung
	203658 / VT-PS12DC-11	Plug-in Power Supply Unit, 100-240VAC/12VDC (1.0A), Regulated, with DC Plug

VKC-900IR36

Technical Drawing



Your Contact Person



eneo is a registered trademark of
VIDEOR E. Hartig GmbH
Carl-Zeiss-Straße 8
63322 Rödermark
Deutschland
Tel.: +49 6074-888-333
E-Mail: info@eneo-security.com
Web: www.eneo-security.com