



## VKC-145

Article number: 210412

1/3" Board Camera, Colour, 3.6mm, 750TVL, 12V

### Mainfeatures

1/3" CCD colour board camera

Digital noise reduction 2D-DNR

Automatic gain control (AGC)

Automatic white balance

Low size: 32x32mm

Resolution of 750 horizontal lines

Digital wide dynamic range (D-WDR)

Backlight compensation (BLC/HLC)

Integrated lens: F2.0/3.6mm

### Specifications

Sensor size	1/3"
Imager	CCD
Imager	Sony EXview HAD CCD II
System	colour
Sensitivity	0,1 Lux
Low speed shutter	yes
Wide Dynamic Range (WDR)	D-WDR
Backlight compensation	BLC, HLC
IR cut filter	standard
Automatic electronic shutter (ESC)	1/50 ~ 1/100,000sec.
White balance	ATW, push, manual, Anti CR, Preset, push lock
Signal-to-noise ratio	>50 db (AGC OFF)
Video standard	PAL
Synchronization	internal

## VKC-145

### Specifications continued

Lens type	fixed focal length
Lens mount	integrated lens
Focal length	3,6 mm
Digital zoom	no
Aperture range (F)	F2.0
Horizontal angle of view	67,4 °
Active picture elements	976(H) x 582(V) pixels
Horizontal resolution	750 TVL
Motion detector	yes
Menu languages	English, German, French, Russian, Spanish, Portugese, Japanese, Chinese
Privacy zones masking	4 areas selectable
Mirror function	yes
Digital Noise Reduction (DNR)	2D-DNR
Digital Noise Reduction (DNR)	yes
Video outputs	composite (VBS)
Serial interfaces	no
Dimensions (HxWxD)	32x32x25mm
Illumination	no
Housing	without housing
Weight	24g
Power consumption	1.8W
Supply voltage	12VDC
Temperature range (operation)	-15°C ~ +60°C
Vandalism resistant	no
Certificates	CE
Parts supplied	manual

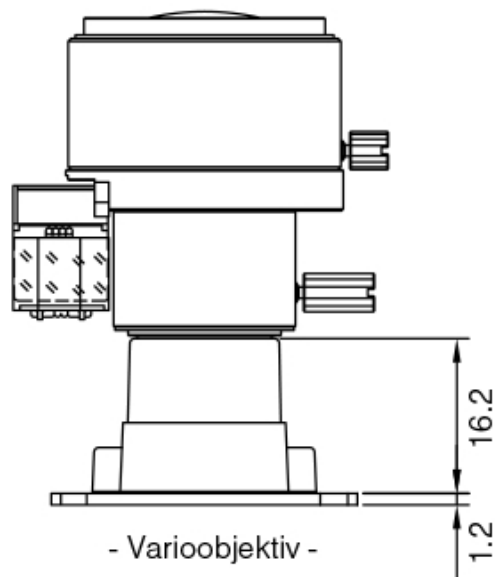
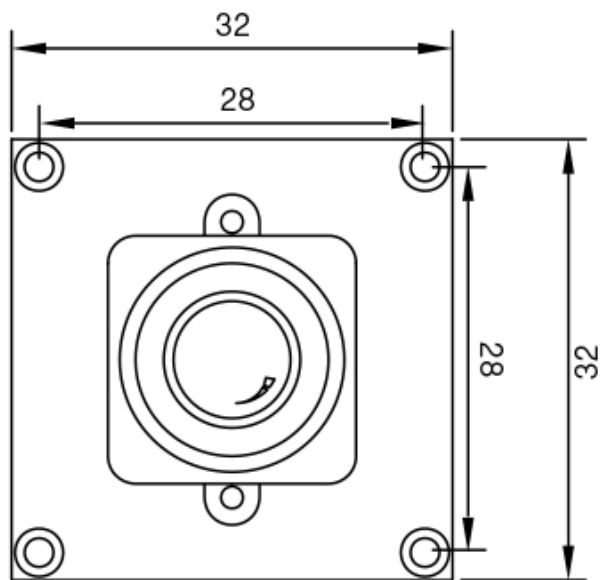
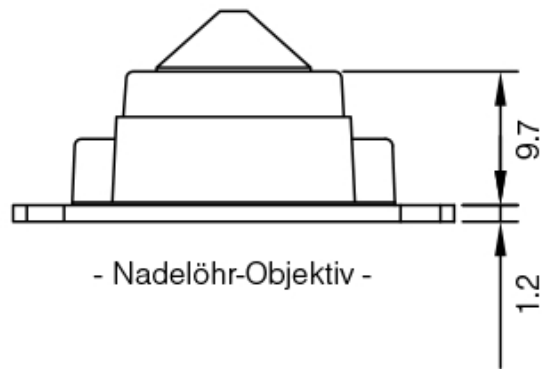
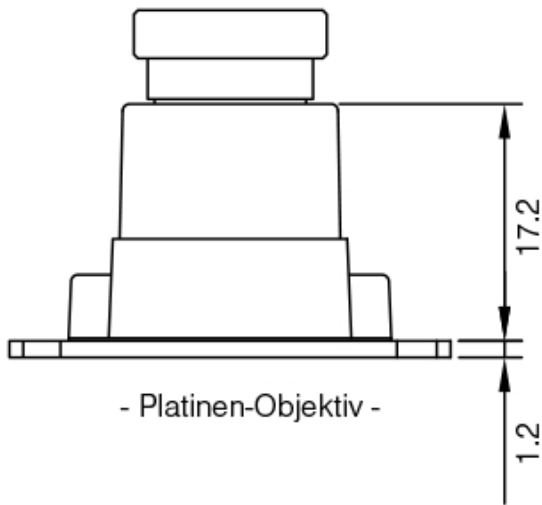
## VKC-145

### Available Accessories

<b>Bild</b>	<b>Art. Nr. / Bezeichnung</b>	<b>Beschreibung</b>
	203658 / VT-PS12DC-11	Plug-in Power Supply Unit, 100-240VAC/12VDC (1.0A), Regulated, with DC Plug

# VKC-145

## Technical Drawing



Maße / Dimensions: mm

## Your Contact Person



eneo is a registered trademark of  
VIDEOR E. Hartig GmbH  
Carl-Zeiss-Straße 8  
63322 Rödermark  
Deutschland  
Tel.: +49 6074-888-333  
E-Mail: [info@eneo-security.com](mailto:info@eneo-security.com)  
Web: [www.eneo-security.com](http://www.eneo-security.com)