



VMC-LCD/WMB-2

Article number: 208865

Wall Bracket for TFT/LCD Monitors, straight, VESA

Mainfeatures

For straight wall mount of TFT/LCD monitors

VESA 75x75mm, 100x100mm, 50x50mm

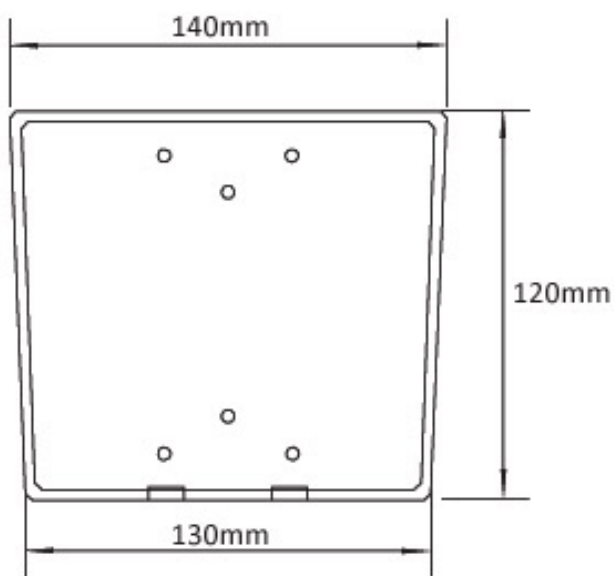
Including all installation material

Maximum load: 30kg

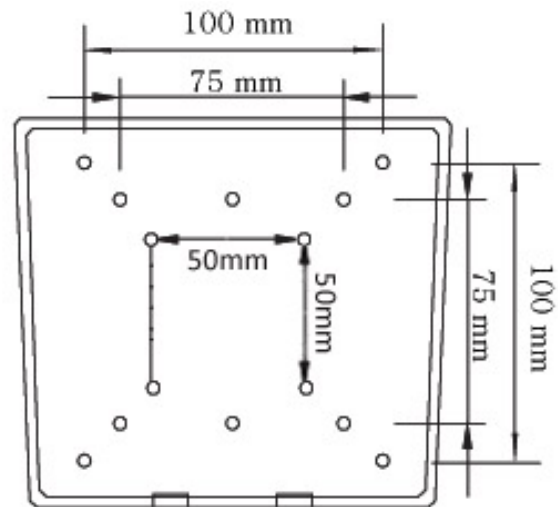
LCD displays from 8" up to 24"

VMC-LCD/WMB-2

Technical Drawing



Wall Plate



Monitor Plate

Dimensions: mm

Your Contact Person



eneo is a registered trademark of
VIDEOR E. Hartig GmbH
Carl-Zeiss-Straße 8
63322 Rödermark
Deutschland
Tel.: +49 6074-888-333
E-Mail: info@eneo-security.com
Web: www.eneo-security.com