



VKCD-1329ASFM

Article number: 208587

1/3" Mini Dome, Fixed, clear, 3.6mm, 700TVL, 12VDC, Vandal resistant, Flush mount

Mainfeatures

1/3" colour board camera with Super HAD CCD

Resolution of 700 horizontal lines

Digital signal processing (DSP)

White-coloured aluminium die-cast casing

Easy indoor and outdoor installation (IP65)

Vandal resistant

Integrated lens F2.0/3.6mm

Automatic shutter control

Automatic white balance (ATW)

Clear Lexan bubble, 57mm

For wall and in-ceiling mounting

Specifications

Sensor size	1/3"
Imager	CCD
Imager	Sony Super HAD II Interline Transfer
System	electronic Day&Night
Sensitivity	0,1 Lux
Sensitivity	(colour), 0.08Lux (B&W) at F1.2, 50 IRE
Low speed shutter	no
Wide Dynamic Range (WDR)	no
Backlight compensation	BLC
IR cut filter	OLPF (Overlay Low Pass Filter)
Signal-to-noise ratio	-50 db
Video standard	PAL


VKCD-1329ASFM

Specifications continued

Synchronization	internal
Lens type	fixed focal length
Focal length	3,6 mm
Digital zoom	no
Horizontal angle of view	68 °
Active picture elements	976(H) x 582(V) pixels
Horizontal resolution	700 TVL
Motion detector	no
e-PTZ support	no
Digital Noise Reduction (DNR)	no
Video outputs	composite (CVBS)
Video outputs	1Vp-p, CVBS, 75ohms
Alarm inputs	no
Alarm outputs	no
Serial interfaces	no
Dimensions (HxWxD)	58,5x88
Illumination	no
Colour (housing)	white
Colour (bubble)	clear
Housing	outdoor
Housing material	metal (aluminium)
Weight	200 g
Heater	no
Bubble	57mm (2.25"), polycarbonate plastic
Power consumption	1.5W
Mounting	flush mount
Protection rating	IP65
Supply voltage	12VDC
Temperature range (operation)	-10°C ~ +50°C
Vandalism resistant	yes
Certificates	CE
Parts supplied	manual, screw set

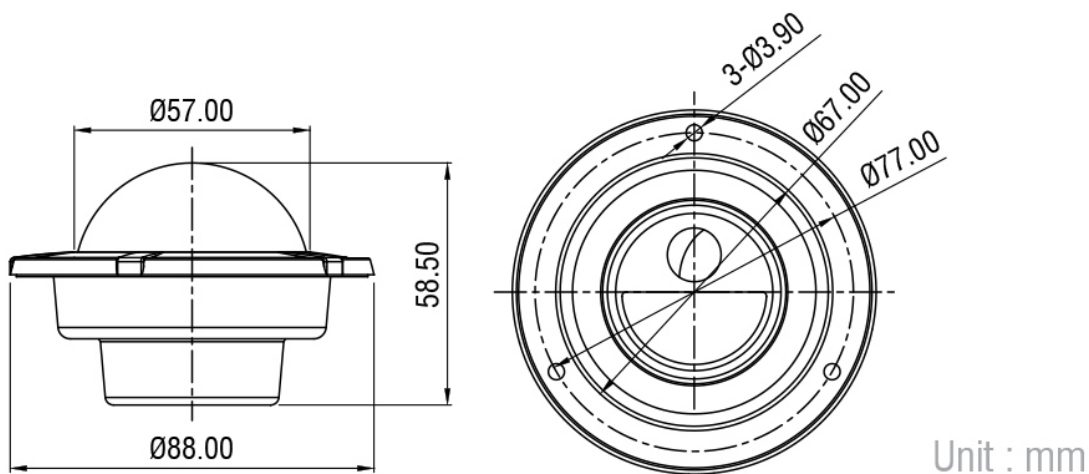
VKCD-1329ASFM

Available Accessories

Bild	Art. Nr. / Bezeichnung	Beschreibung
	203658 / VT-PS12DC-11	Plug-in Power Supply Unit, 100-240VAC/12VDC (1.0A), Regulated, with DC Plug

VKCD-1329ASFM

Technical Drawing



Your Contact Person



eneo is a registered trademark of
VIDEOR E. Hartig GmbH
Carl-Zeiss-Straße 8
63322 Rödermark
Deutschland
Tel.: +49 6074-888-333
E-Mail: info@eneo-security.com
Web: www.eneo-security.com