



VMC-10.4LED-CP

Article number: 206766

10.4" (26.4cm) LCD/TFT Monitor, 1024x768, LED, 12VDC, Pedestal, silvergrey

Mainfeatures

10.4" (26.4cm) display screen size

Multi language on-screen menu control

CVBS, RGB and audio inputs

Angled monitor stand included

Robust plastic cabinet

LED Backlight

Resolution of 1024x768 px.

Built-in speaker

Supply voltage: 12VDC

Various fields of application

Specifications

Resolution pixels	1024x768
Video standard	PAL, NTSC (Auto detection)
Comb filter	no
Contrast ratio typical	500:1
Response time typical	45 ms
Brightness typical	400 cd/m ²
Backlighting	LED
Viewing angle vertical	120 °
Viewing angle horizontal	140 °
Screen size	10.4"
Screen Size (cm)	26.4 cm
Menu languages	English, German, French, Spanish, Italian, Korean, Japanese
Video inputs (type)	2x composite (CVBS), VGA

VMC-10.4LED-CP

Specifications continued

Video outputs	no
Audio inputs	2
Dimensions (HxWxD)	see drawing
Mount	Angled stand and 4x threads M3, 50x55mm, for wall mounting (see drawing)
Colour	Silver Metallic
Housing material	plastic
Housing color	silver grey
Weight	785g
Loudspeaker	mono 1W
Power consumption	7.5W
Supply voltage	12VDC +/-5% (Power supply unit included)
Temperature range (operation)	-20°C ~ +60°C
Certificates	CE
Parts supplied	Monitor stand, PSU 100~240V/12VDC with power cord, Multiple connection cable (Power IN, 2 x CVBS IN, 2 x Audio IN), VGA cable, Cigarette lighter adapter cable, AV adapter cable, Cinch/BNC adapter, IR remote control unit, Multiple language manual

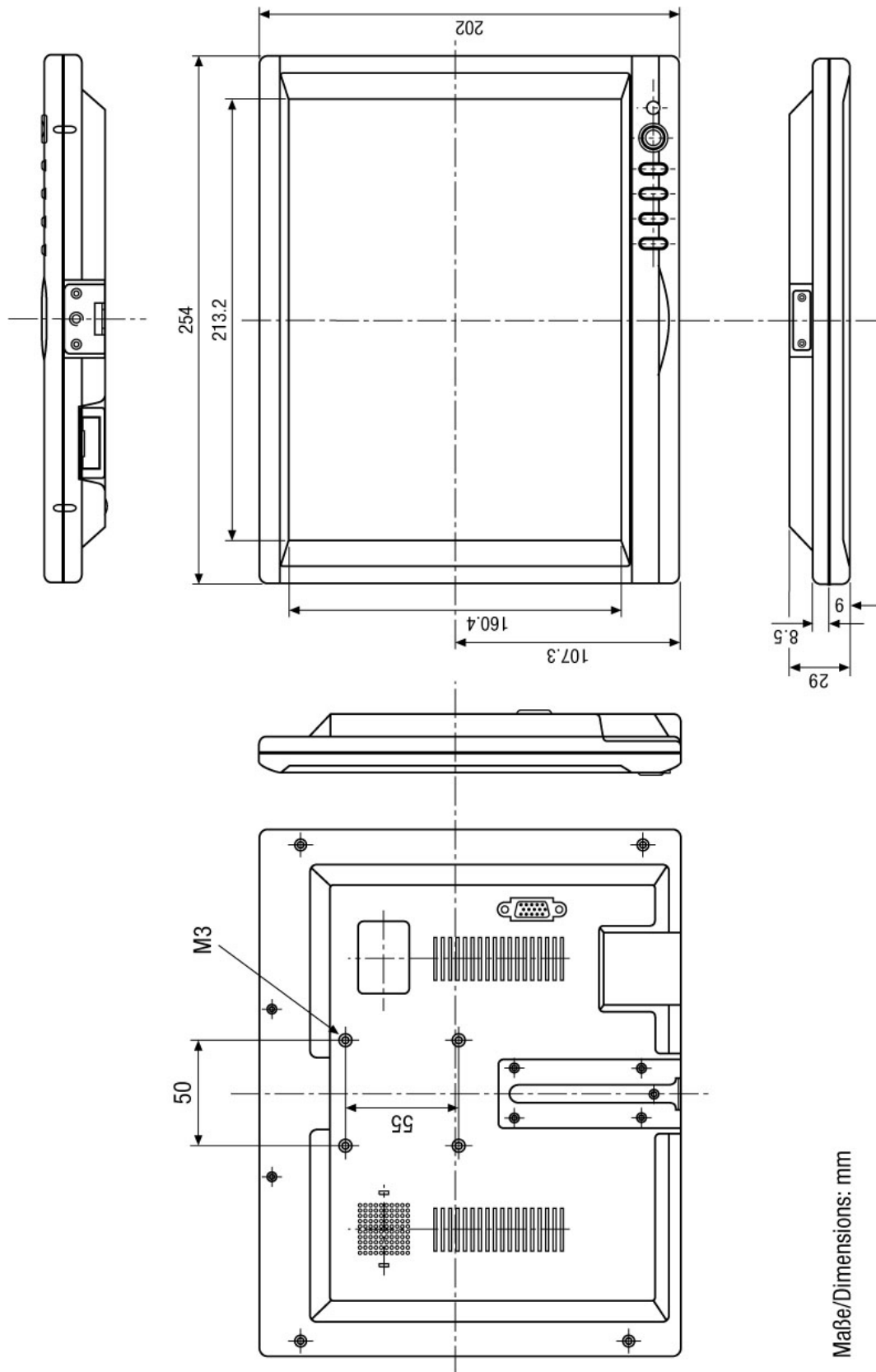
VMC-10.4LED-CP

Available Accessories

Bild	Art. Nr. / Bezeichnung	Beschreibung
	90491 / LCD-ST/CM1	Desktop Mount for LCD Monitor VMC-8.4 and VMC-10.4, CM Series

VMC-10.4LED-CP

Technical Drawing



Your Contact Person



eneo is a registered trademark of
VIDEOR E. Hartig GmbH
Carl-Zeiss-Straße 8
63322 Rödermark
Deutschland
Tel.: +49 6074-888-333
E-Mail: info@eneo-security.com
Web: www.eneo-security.com