



EDMC-3221B/E

Article number: 206498

1/4" Dome, PTZ, Day&Night, clear, 22x, WDR, 700TVL, 12VDC/24VAC, IP66, IK10

Mainfeatures

Vandal resistant PTZ day&night mini dome

Panning angle: 360° continuous rotation

120 presets / 4 auto scan courses / Autopan

OSD menu control and camera ID display

High and low speed shutter (MES/DSS)

RS-485 control interface

With large temperature range (-30 to +50°C)

Horizontal speed range: 380°/sec. max.

4 tours with 4 presets each / Home position

Removable IR cut filter

Digital noise reduction (3D/2D DNR)

Supply voltage: 12VDC or 24VAC

Specifications

Sensor size	1/4"
Imager	CCD
Imager	Sony Super HAD CCD II μ
System	True Day&Night
Sensitivity	0,1 Lux
Sensitivity	(colour): 0,01Lux. B/W Low-Speed-Shutter: 0,00001Lux, 50 IRE
Low speed shutter	yes
Low speed shutter	2x ~ 512x .
Manual electronic shutter (MES)	1/50 ~ 1/100,000sec.
Wide Dynamic Range (WDR)	WDR
Flickerless function	yes
Backlight compensation	ON/OFF switchable

EDMC-3221B/E

Specifications continued

Backlight compensation	BLC
IR cut filter	switchable
Automatic electronic shutter (ESC)	1/50 ~ 1/100,000sec.
White balance	manual, AWB, WAWB, indoor, outdoor
Video standard	CCIR/PAL
Synchronization	internal, AC line lock
Lens type	auto focus zoom
Zoom factor	22x
Focal length	3,9 - 85,8 mm
Digital zoom	16x
Aperture range (F)	F1.6~F3.7
Aperture Correction (APC)	horizontal and vertical
Horizontal angle of view	44,6 - 3,2 °
Horizontal resolution	700 TVL
Motion detector	yes
Analysis functions	no
Presets	240 presets
Tilt range	180° (Digital Flip)
Rotation range	360 °
Speed (manual control)	380 °/Sek.
Preset speed	380 °/Sek.
OSD function control	OSD camera setup
Menu languages	German, English, French, Italian, Spanish, Polish, Portugese
Privacy zones masking	8 zones masking
Mirror function	180° rotation
Digital Noise Reduction (DNR)	2D-DNR, 3D-DNR
Digital Noise Reduction (DNR)	yes
Video outputs	composite (CVBS)
Video outputs	1Vp-p (CVBS, 75ohms, BNC)
External connections	video (BNC), voltage input, RS-485, alarm input NO/NC, alarm output TTL
Alarm inputs	4
Alarm outputs	1
Serial interfaces	RS-485
Serial interfaces protocols	Fastrax IIE, Pelco D, Pelco P
Series	eneo Minitrax
Dimensions (HxWxD)	see drawing
Illumination	no
Colour (housing)	Pantone Cool Gray 1C
Colour (bubble)	clear
Housing	outdoor
Housing material	metal (aluminium)
Weight	2.3kg
Bubble	4.3" (110mm), Acryl/clear

EDMC-3221B/E

Specifications continued

Power consumption	60W, (with heater)
Mounting	ceiling mount, wall mount, Wall mounting only in conjunction with related accessories
Window heater	no
Protection rating	IP66
Supply voltage	12VDC, 24VAC
Temperature range (operation)	-30°C ~ +50°C
Text display	12 character labels, ON/OFF switchable
Vandalism resistant	yes
Certificates	CE, IK10
Parts supplied	dome camera, plug set, manual

Special features

extended temperature range -30°C - +50°C, based on installed heater and blower kit, 24VAC operation only

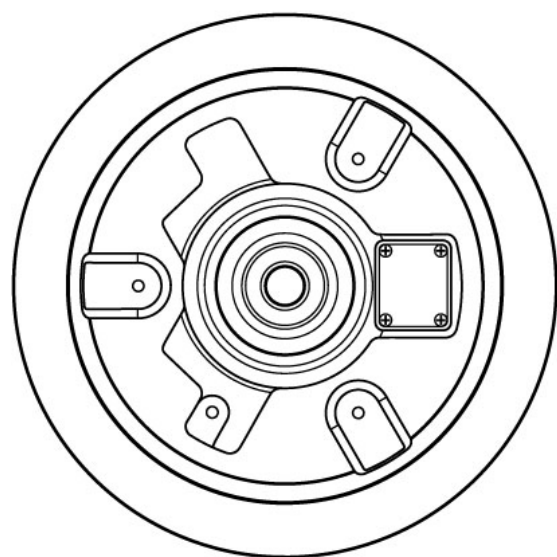
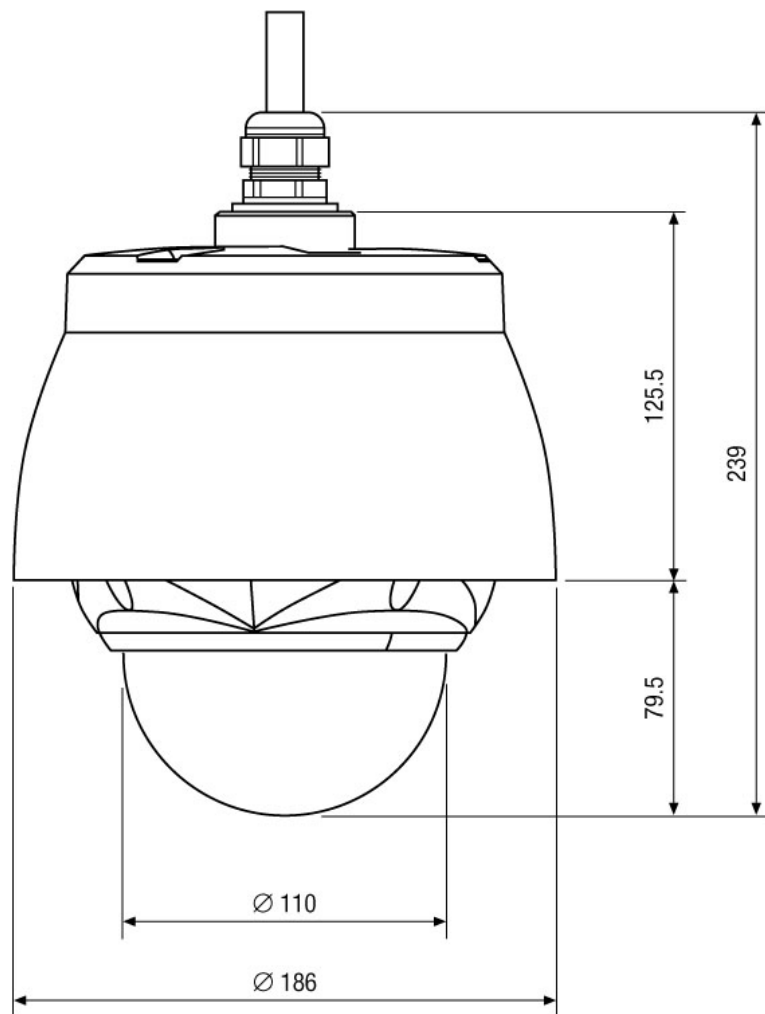
EDMC-3221B/E

Available Accessories

Bild	Art. Nr. / Bezeichnung	Beschreibung
	74088 / EDC-KBD1	System Keyboard with 3-axis Joystick, 12VDC
	74125 / EDC-AKS1	Power & Connection Box with Mounting Bracket for In/Outdoor, 230V-24VAC/3.0A
	74127 / EDC-WMB1	Wall Mount for PTZ Dome Cameras with Mounting Kit
	74128 / EDC-CMT1	Ceiling Mount Tube with Flange Plate for PTZ Dome Cameras
	74140 / EDC-RTB2	Pole & Roof Mount Bracket for Fastrax 2 outdoor Housings & EDCH
	74149 / KBD-2	System Keyboard with 3-Axis Joystick and Jog Shuttle, 12VDC
	70449 / NE-128	Voltage supply unit 230V/24V-5A, IP66
	208239 / HAH-1001	Low Voltage Heater Kit 12V/10W for HDD-1012, NXD-2012, NLD-1422

EDMC-3221B/E

Technical Drawing



Maße/Dimensions: mm

Your Contact Person



eneo is a registered trademark of
VIDEOR E. Hartig GmbH
Carl-Zeiss-Straße 8
63322 Rödermark
Deutschland
Tel.: +49 6074-888-333
E-Mail: info@eneo-security.com
Web: www.eneo-security.com