



NXC-1403F03

Article number: 204284

1/4" Network camera, H.264, 2DNR, 1600x1200, 2.6mm, 5VDC, PoE, ONVIF

Mainfeatures

1/4" 2 megapixels CMOS sensor

Simultaneous video streaming (H.264/MJPEG)

Integrated motion detection

Easy and flexible installation

Power-over-Ethernet (PoE)

Resolution of 1600 x 1200 (HD 720p) max.

Privacy zone masking

E-PTZ function

Local recording by Micro SD card

Specifications

Sensor size	1/4"
Resolution standard	HD 720p
Imager	CMOS
System	colour
Sensitivity	1 Lux
Sensitivity	(colour)
Low speed shutter	yes
Low speed shutter	ON/OFF switchable
Wide Dynamic Range (WDR)	no
Backlight compensation	no
IR cut filter	standard
Stream types	H.264, MPEG-4, MJPEG multiple (3 Streams)
Image transmission rate max.	25 fps
Compression standard	H.264, M-JPEG, MPEG-4

NXC-1403F03

Specifications continued

Lens type	fixed focal length
Focal length	2,6 mm
Digital zoom	yes
Resolution	1600x1200 (4:3), 1280x1024 (5:4), 1280x720 (16:9), 800x600 (4:3), 704x576 (4:3), 640x480 (4:3), 704x480 (4:3), 352x288 (4:3), 352:240 (4:3), 320x240 (4:3)
Resolution max.	1600x1200
Horizontal angle of view	64 °
Motion detector	yes
Analysis functions	no
Audio support	no
Password protection	yes
e-PTZ support	yes
Internal storage	microSD card
Menu languages	English, Russian, Korean
Privacy zones masking	8 zones masking
Remote configuration	web browser
Web browser	MS Internet Explorer Vers. 6.0, Mozilla Firefox (Java), Safari (Java), Google Chrome (Java), Opera
Digital Noise Reduction (DNR)	2D-DNR
Digital Noise Reduction (DNR)	yes
Network protocols	TCP/IP, UDP, HTTP, RTP, RTSP, NTP, DHCP, SMTP, DDNS, HTTPS, RTCP, FTP, SNMP
Video outputs	no
Ethernet interface	10Base-T, 100Base-TX
Alarm inputs	no
Serial interfaces	no
Series	eneo NX
Dimensions (HxWxD)	97x62x39mm
Illumination	no
Housing	indoor
Housing material	plastic
Weight	75g
Power consumption	3.5W
Management Software Support	www.eneo-security.com/en/products/videomanagement.html
Mounting	wall mount, ceiling mount
ONVIF	yes, ONVIF Test Tool Version 1.02.4
Power over Ethernet	IEEE 802.3af
Window heater	no
Protection rating	n/a
SDK	upon request
Supply voltage	5VDC, PoE
Temperature range (operation)	0°C ~ +40°C
Vandalism resistant	no
Certificates	CE





NXC-1403F03

Specifications continued

Parts supplied	PSU, wall bracket, manual
----------------	---------------------------

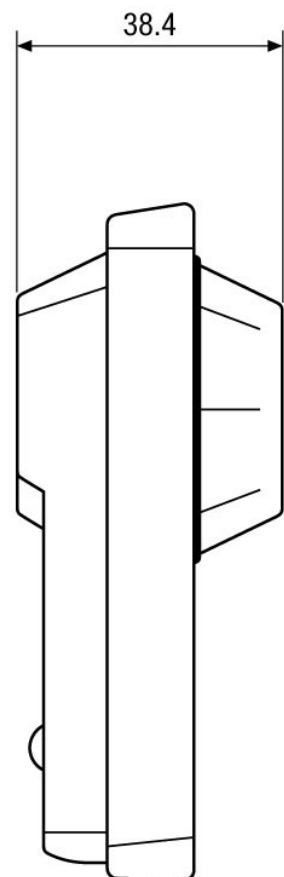
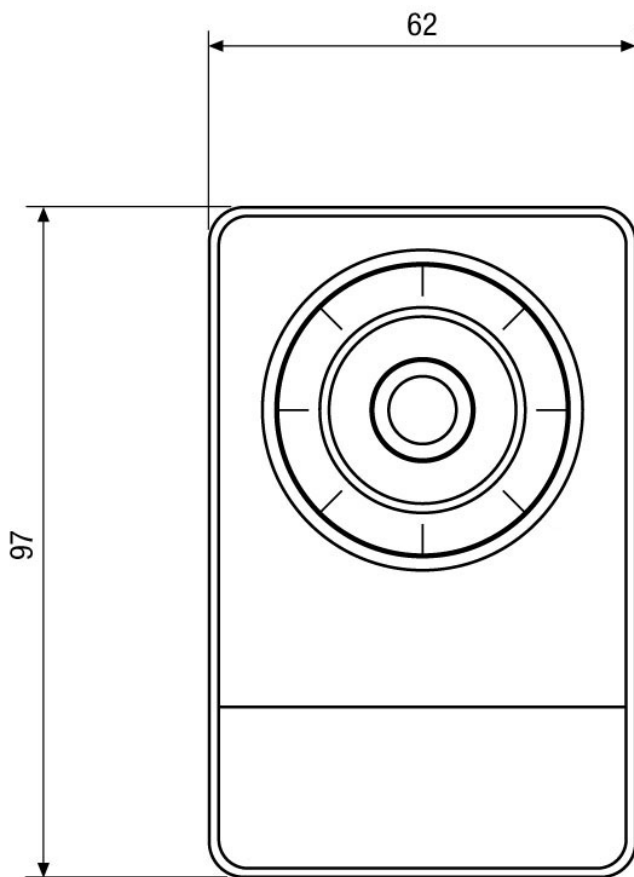
NXC-1403F03

Available Accessories

Bild	Art. Nr. / Bezeichnung	Beschreibung
	202562 / PNR-5216	Network Video Recorder, 16xIP, 1920x1080, 480fps, 1TB, H.264, MPEG-4, M-JPEG, DVI, D-Sub
	202563 / PNR-5116	Network Video Recorder, 16xIP, 1920x1080, 320fps, 1TB, H.264, MPEG-4, M-JPEG
	204192 / PNR-5108	Network Video Recorder, 8xIP, 1920x1080, 200fps, 1TB, H.264, MPEG-4, M-JPEG
	204193 / PNR-5104	Network Video Recorder, 4xIP, 1920x1080, 120fps, 1TB, H.264, MPEG-4, M-JPEG

NXC-1403F03

Technical Drawing



Maße/Dimensions: mm

Your Contact Person



eneo is a registered trademark of
VIDEOR E. Hartig GmbH
Carl-Zeiss-Straße 8
63322 Rödermark
Deutschland
Tel.: +49 6074-888-333
E-Mail: info@eneo-security.com
Web: www.eneo-security.com