



VMC-8LCD-CP01B

Article number: 203669

8,0" (20.3cm) LCD/TFT Monitor, 1024x768, 12VDC, Pedestal, Silvergrey

Mainfeatures

8" (20.3cm) display screen size

Multi language on-screen menu control

2x CVBS, RGB and audio input

Angled monitor stand included

Robust plastic cabinet

PAL/NTSC auto selection

Resolution of 1024x768 px.

Built-in speaker

Supply voltage: 12VDC/24VDC

Different ranges of application

Specifications

Resolution pixels	1024x768
Video standard	PAL, NTSC (Auto detection)
Comb filter	no
Synchronization	TTL Separate, Composite
Contrast ratio typical	500:1
Response time typical	50 ms
Brightness typical	250 cd/m ²
Viewing angle vertical	135 °
Viewing angle horizontal	140 °
Screen size	8"
Screen Size (cm)	20.3 cm
Menu languages	English, German, French, Spanish, Italian, Korean, Japanese
Video inputs	CVBS: 1Vp-p, 75ohms, Cinch Y/C: Y= 0.7Vp-p, C= 0.3Vp-p, 75ohms, 4-pin MiniDIN



VMC-8LCD-CP01B

Specifications continued

Video inputs (type)	composite (CVBS), VGA
Video outputs	no
Audio inputs	Mono input, 400mVrms
Audio outputs	1
Serial interfaces	no
Dimensions (HxWxD)	see drawing
Mount	Angled stand and 4x threads M3 50x55mm, for wall mounting (see drawing)
Housing material	plastic
Housing color	silver grey
Weight	0.65kg
Loudspeaker	0.5watts
Power consumption	10W
Supply voltage	12VDC +/-5% (Power supply unit included)
Temperature range (operation)	-10°C ~ +60°C
Certificates	CE
Parts supplied	Monitor stand, PSU 100~240V/12VDC with power cord, Multiple connection cable (Power IN, CVBS IN, Audio IN), VGA cable, Cigarette lighter adapter cable, AV adapter cable, Cinch/BNC adapter, IR remote control unit, Multiple language manual

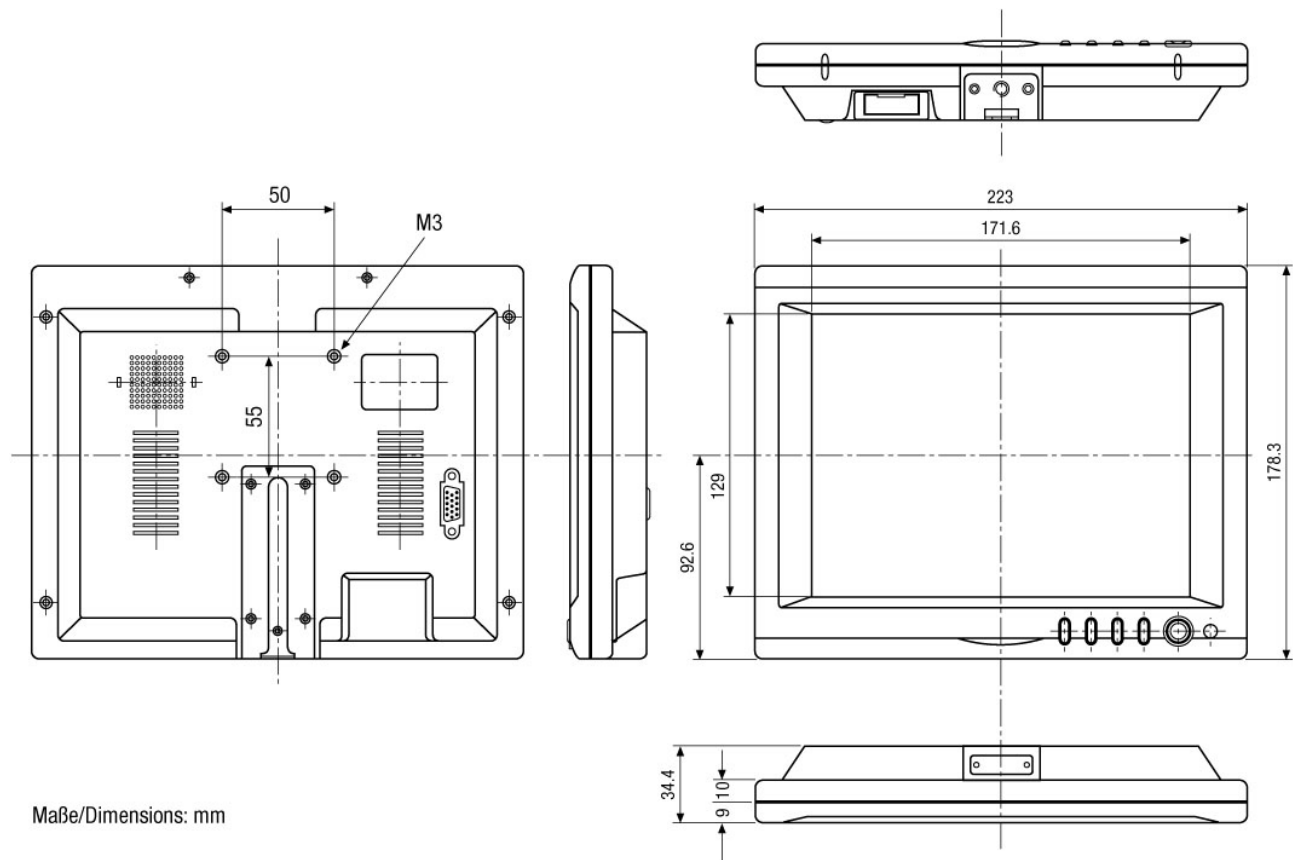
VMC-8LCD-CP01B

Available Accessories

Bild	Art. Nr. / Bezeichnung	Beschreibung
	208865 / VMC-LCD/WMB-2	Wall Bracket for TFT/LCD Monitors, straight, VESA
	90394 / VMC-LCD/WCMB-1	Wall/Ceiling Bracket for LCD Monitors 15"/17"/19" P/CP/CM/HPC/HMC1 Series

VMC-8LCD-CP01B

Technical Drawing



Maße/Dimensions: mm

Your Contact Person



eneo is a registered trademark of
VIDEOR E. Hartig GmbH
Carl-Zeiss-Straße 8
63322 Rödermark
Deutschland
Tel.: +49 6074-888-333
E-Mail: info@eneo-security.com
Web: www.eneo-security.com