



## PXD-1020F02

Article-No.: 203616

1/2.7" Mini Network Dome,  
Day/Night, 2.8mm, 1920 x1080,  
vandal proofed, PoE

### Mainfeatures

1/2.7" Omnivision Progressive Scan CMOS  
Dual Streams, H.264 and MJPEG  
Motion detection, Privacy masks  
D-WDR (wide dynamic range)  
Flat, rugged design, IP66

Full HD 1920x1080 Pixel, Real-time  
ONVIF support  
Tampering alarm  
3 DNR noise reduction  
Quick and reliable installation

### Specifications

Series	eneo PXD
Resolution standard	HD 1080p
System	electronic Day&Night
Sensor size	1/2.7"
Imager	CMOS
Imager	Omnivision Progressive Scan CMOS
Sensitivity	0,1 Lux
Automatic electronic shutter (ESC)	1~1/10.000sec.
Digital Noise Reduction (DNR)	yes
Digital Noise Reduction (DNR)	3D-DNR
Low speed shutter	yes
White balance	automatic, ATW, manual
Backlight compensation	BLC
Wide Dynamic Range (WDR)	D-WDR
IR cut filter	standard
Mirror function	180° rotation, flip
Resolution max.	1920x1080





## Specifications (continued)

Resolution	1920x1080 (16:9), 1280x1024 (5:4), 1280x720 (16:9), 1024x768 (4:3), 800x600 (4:3), 720x576 (4:3), 640x480 (4:3), 352x288 (4:3)
Image transmission rate max.	25 fps
Privacy zones masking	10 areas selectable
Activity detection	yes
Motion detector	10 zones
Analysis functions	activity detection, obstruction detection
Menu languages	German, English, French, Italian, Russian, Spanish
OSD function control	resolution, motion detection, BLC, DNR, WDR, bit rate, password
Video outputs	no
Audio support	no
Alarm inputs	no
Alarm outputs	no
Alarm processing	SD-card recording, FTP, E-Mail
Internal storage	microSD card, SD-HC 32GB
Compression standard	H.264, M-JPEG
Stream types	3 streams H.264, 1 stream MJPEG multiple
Network connection	RJ-45
Ethernet interface	10Base-T, 100Base-TX
Web browser	MS Internet Explorer vers. 7.0 or higher, Safari (Quick time), Google Chrome ( Quick time), Mozilla Firefox (Quick time)
Network protocols	TCP/IP, UDP, RTP, RTSP, HTTP, HTTPS, ICMP, FTP, SMTP, DHCP, PPPoE, UPnP, IGMP, SNMP, IPv4, IPv6
Multicast compliant	yes
Lens type	fixed focal length
Focal length	2,8 mm
Horizontal angle of view	103°
Aperture range	F2.0
Digital zoom	8x
MOD (Minimum object distance)	1 m
Illumination	no
Remote configuration	web browser, remote software
Password protection	administrator & users
Password protection	yes
e-PTZ support	no
Supply voltage	PoE
Power over Ethernet	IEEE 802.3af
Blower	no
Heater	no
Power consumption	3.5W
Mounting	wall mount, ceiling mount
Temperature range (operation)	-10°C ~ +50°C
Vandalism resistant	yes
Housing	outdoor
Housing material	aluminium
Colour (housing)	RAL9003

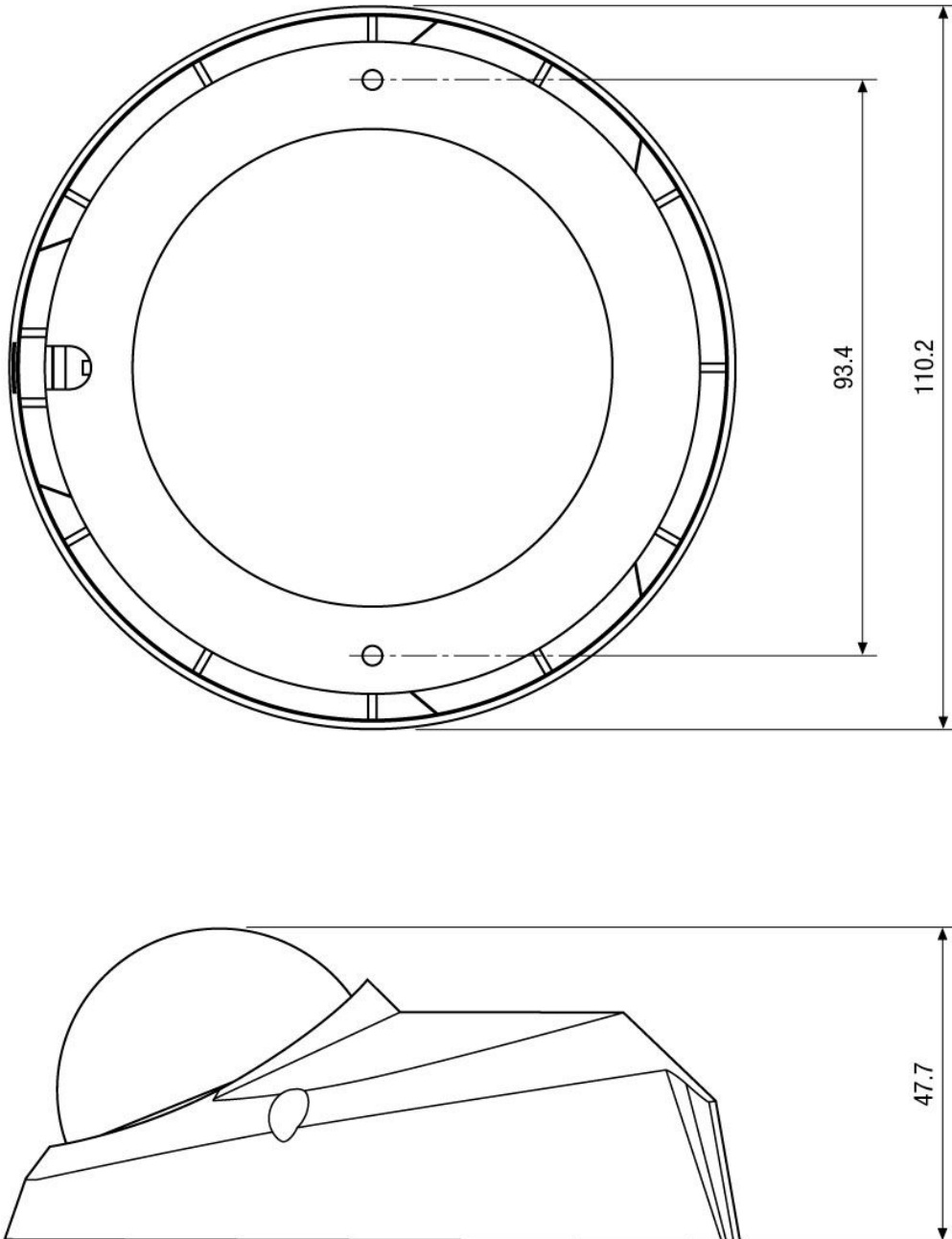
## Specifications (continued)

Colour (bubble)	clear
Protection rating	IP66
Management Software Support	<a href="http://www.eneo-security.com/software">www.eneo-security.com/software</a>
SDK	upon request
ONVIF	yes, ONVIF Test Tool Version 12.06 ( Profile S)
Certificates	CE, FCC, EN 50155, IK07
Dimensions (HxWxD)	see drawing
Weight	180g
Parts supplied	screw set, manual, allen key

## Optional Accessories

Image	Article ID / type	Description
	PNR-5216	Network Video Recorder, 16xIP, 1920x1080, 480fps, 1TB, H.264, MPEG-4, M-JPEG, DVI, D-Sub
	PNR-5116	Network Video Recorder, 16xIP, 1920x1080, 320fps, 1TB, H.264, MPEG-4, M-JPEG
	PNR-5108	Network Video Recorder, 8xIP, 1920x1080, 200fps, 1TB, H.264, MPEG-4, M-JPEG
	PNR-5104	Network Video Recorder, 4xIP, 1920x1080, 120fps, 1TB, H.264, MPEG-4, M-JPEG

## Technical Drawing



Maße/Dimensions: mm



Your partner for eneo products:

