



WD-32 RAL7035

Article number: 203427

Wall Bracket for Pan/Tilt Heads, VPT-40/601/501 Series, RAL7035

Mainfeatures

Wall mount for eneo pan&tilt head series

Colour: RAL7035

Option: pole mount adapter PM-7

Rugged aluminium die casting construction

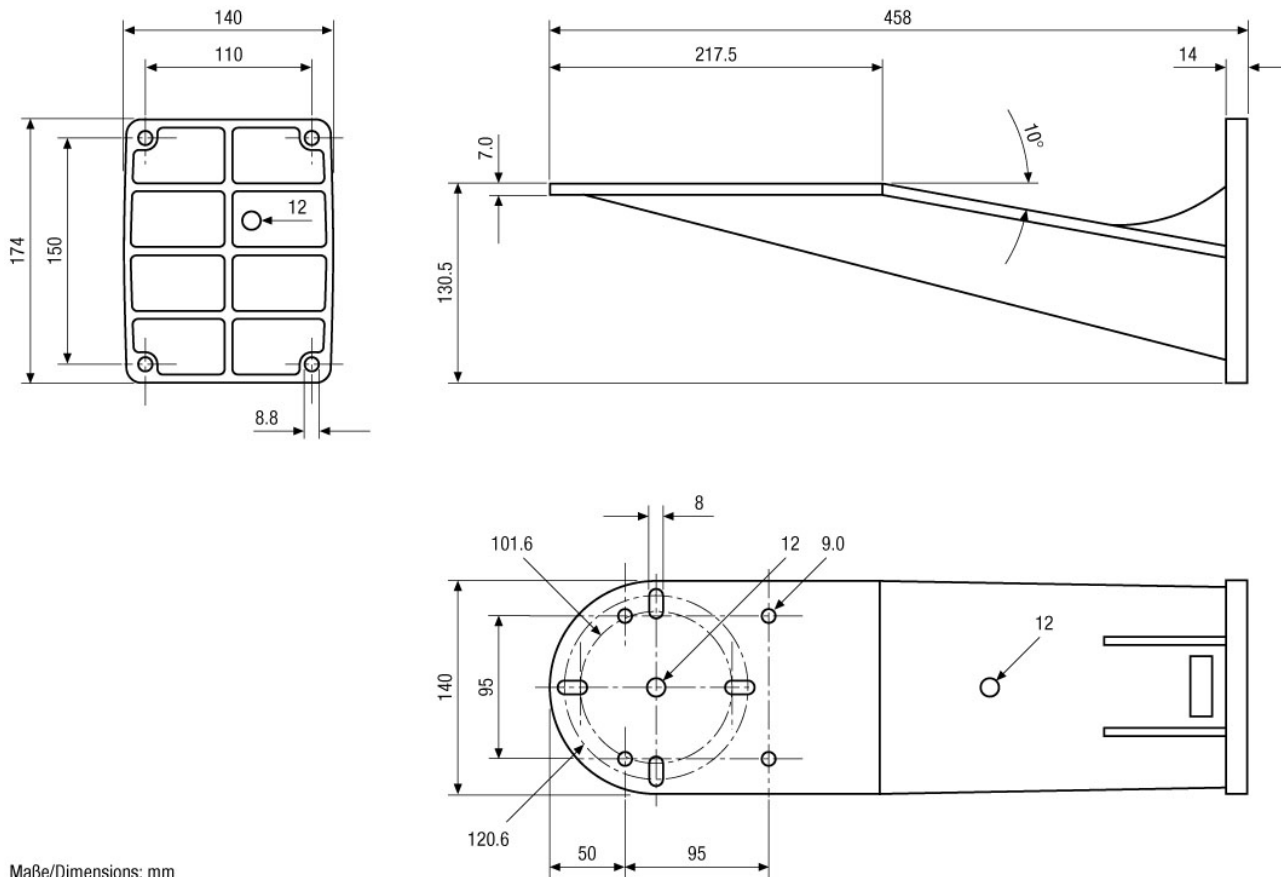
Ready for installation

Specifications

Dimensions (HxWxD)	see drawing
Colour	RAL7035
Weight	2.2kg
Load capacity	50kg
Material	Die-cast Aluminium

WD-32 RAL7035

Technical Drawing



Maße/Dimensions: mm

Your Contact Person



eneo is a registered trademark of
VIDEOR E. Hartig GmbH
Carl-Zeiss-Straße 8
63322 Rödermark
Deutschland
Tel.: +49 6074-888-333
E-Mail: info@eneo-security.com
Web: www.eneo-security.com