



VKC-1392

Article number: 202389

1/3" Camera, Day&Night, D-WDR, 2D-DNR, BLC, HLC, 700 TVL, 230VAC

Mainfeatures

1/3" Super HAD II CCD Effio E

Digital noise reduction (DNR)

Switchable automatic gain control (AGC)

Adjustable backlight compensation

Privacy masking/mirror function/motion detection

CS/C mount

Colour/b&w selection

Digital Wide Dynamic range

High speed shutter control (ESC/MES)

Automatic white balance (AWB)

Supply voltage: 230VAC

Specifications

Sensor size	1/3"
Imager	CCD
Imager	Sony Effio E (960H) Enhanced
System	True Day&Night
Sensitivity	0,15 Lux
Sensitivity	(colour) 0,01lux (B&W), at F1.2, 50 IRE
Low speed shutter	no
Manual electronic shutter (MES)	1/50 ~ 1/10.000sec.
Wide Dynamic Range (WDR)	D-WDR
Backlight compensation	BLC, HLC
IR cut filter	switchable
Automatic electronic shutter (ESC)	1/50 ~ 1/10,000sec.




VKC-1392

Specifications continued

Automatic gain control (AGC)	ON/OFF switchable
White balance	ATW, one push, Anti CR, manual
Signal-to-noise ratio	-50 db
Video standard	CCIR/PAL
Synchronization	internal
Lens mount	CS/C mount
Digital zoom	no
Iris control	DC, manual
Active picture elements	976(H) x 582(V) pixels
Horizontal resolution	700 TVL
Motion detector	yes
Analysis functions	motion detection
e-PTZ support	no
OSD function control	AGC, AWB, motion detection, BLC/HLC, digital noise reduction (DNR), privacy zones, brightness, language, day&night
Menu languages	German, English, French, Spanish, Portugese, Japanese, Russian
Privacy zones masking	4 areas, masking, X/Y start/end
Mirror function	H-flip
Digital Noise Reduction (DNR)	2D-DNR
Digital Noise Reduction (DNR)	yes
Video outputs	composite (CVBS)
Video outputs	1Vp-p, (C)VBS, 75ohms, BNC
External connections	video (BNC), voltage input
Alarm inputs	no
Alarm outputs	no
Serial interfaces	no
Dimensions (HxWxD)	56x67,5x124
Illumination	no
Colour	Pantone 877C, Side wings: Pantone Cool Gray 11C
Weight	450g
Power consumption	4.5W
Protection rating	-
Supply voltage	230VAC
Temperature range (operation)	-10°C ~ +50°C
Text display	52 character labels
Certificates	CE
Parts supplied	manual, C/CS adapter, 4-pin lens plug

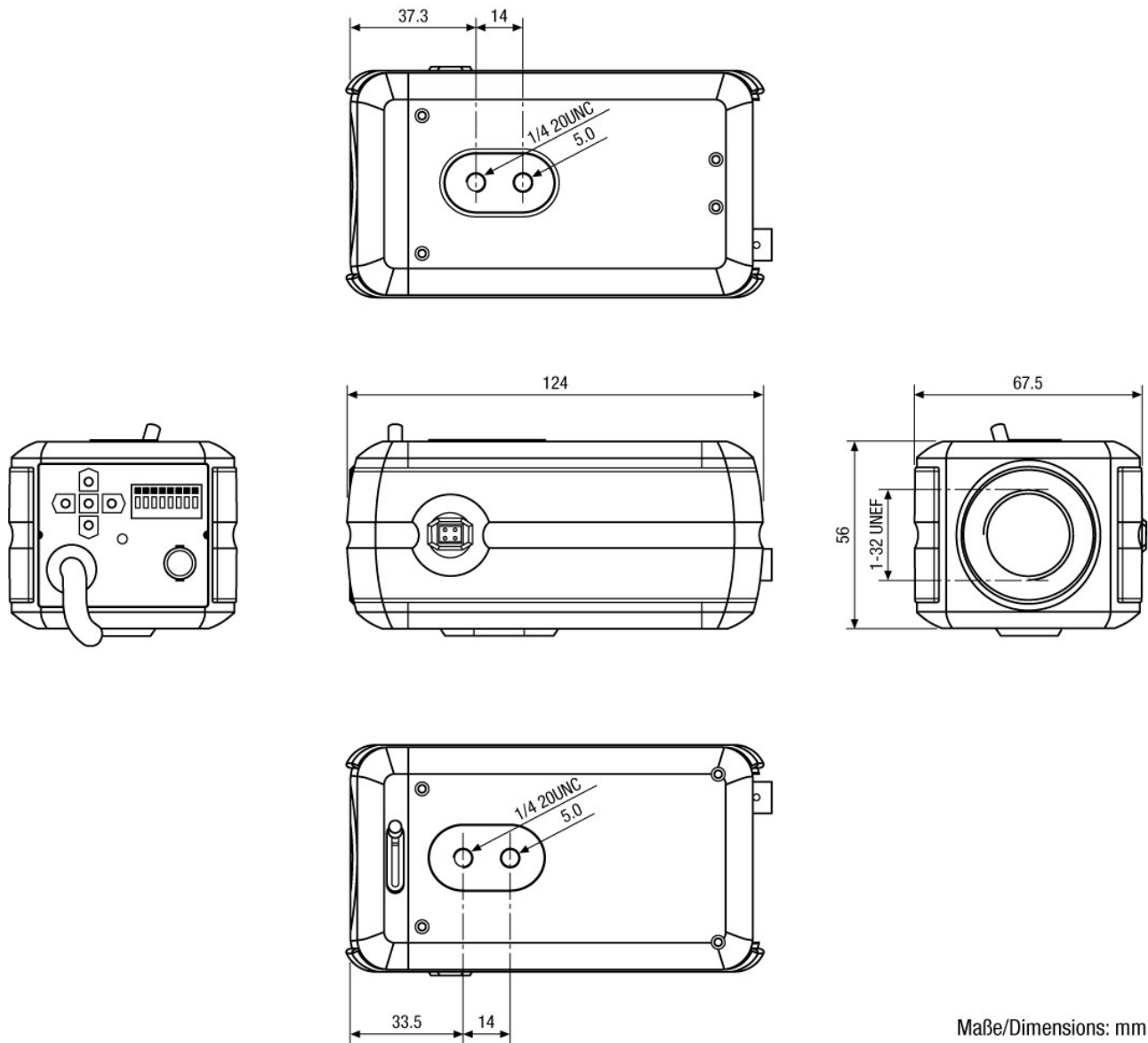
VKC-1392

Available Accessories

Bild	Art. Nr. / Bezeichnung	Beschreibung
	70771 / WD-23	Wall Mount Bracket with Ball Joint, 1/4" Camera Fixing Screw, Pantone 877
	43274 / F03Z2.6DC-NFSHR	F1.0/3-8mm DC Lens, Varifocal, No Focus Shift, High Resolution, 1/3" CS Mount
	79488 / VTL-WWA	Weatherproof Housing (300mm) with Heater Thermostat, Wallbracket, RAL9002, 230V

VKC-1392

Technical Drawing



Maße/Dimensions: mm

Your Contact Person



eneo is a registered trademark of
VIDEOR E. Hartig GmbH
Carl-Zeiss-Straße 8
63322 Rödermark
Deutschland
Tel.: +49 6074-888-333
E-Mail: info@eneo-security.com
Web: www.eneo-security.com